

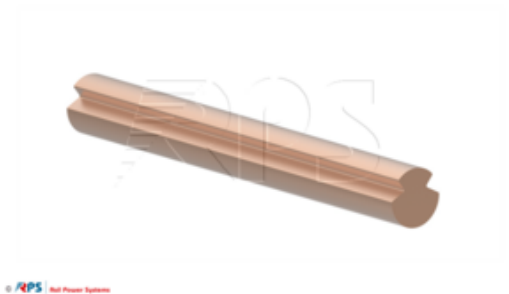


Contact wires

Grooved contact wire (DIN 43 141)

Variante: Grooved contact wire

Product	Grooved contact wire
Manufacturer	Rail Power Systems GmbH
Material number	3EGF002736



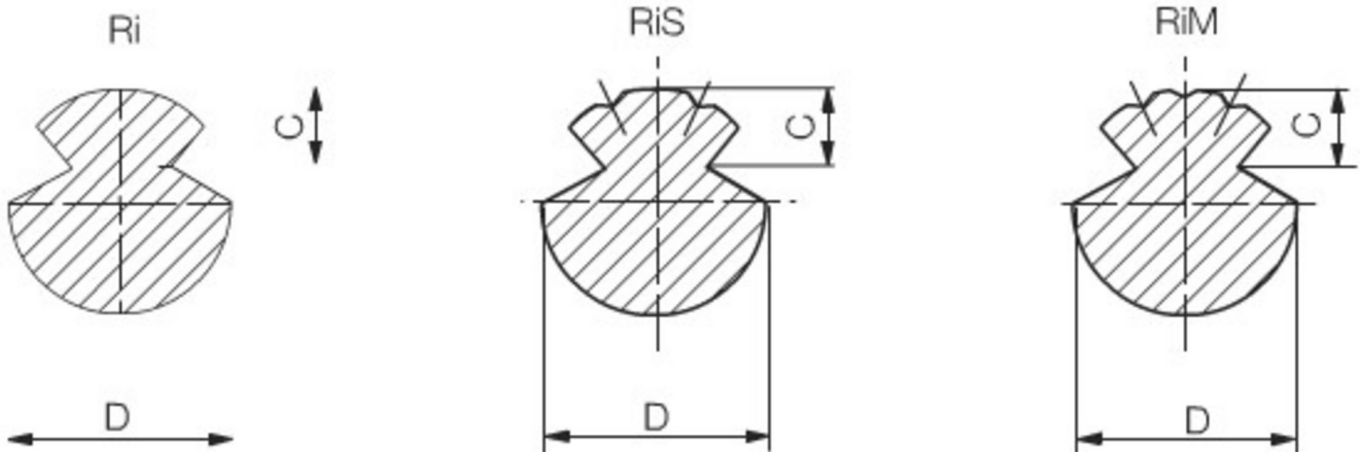
AC (Ri) made of Cu-ETP acc. to EN1977;

AC (RiS) made of CuAg0,1 acc. to EN 1977;

AC (RiM) made of CuMg0,5 acc. to EN 1977.

Mechanical values

	Value
Name	Grooved contact wire
Material	Cu
Weight	0,71 kg
Build Type	AC80 Cu (Ri 80)
Diameter	10,6 mm
Material-ID	3EGF002736

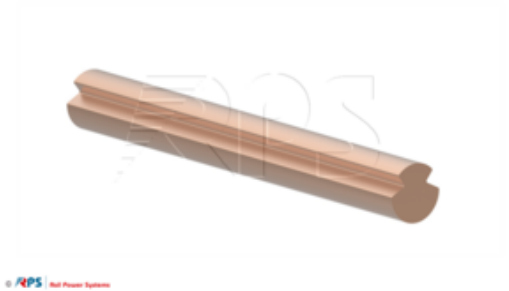


Contact line components > Accessories (wires, ropes, tubes) > Contact wires

Grooved contact wire (DIN 43 141)

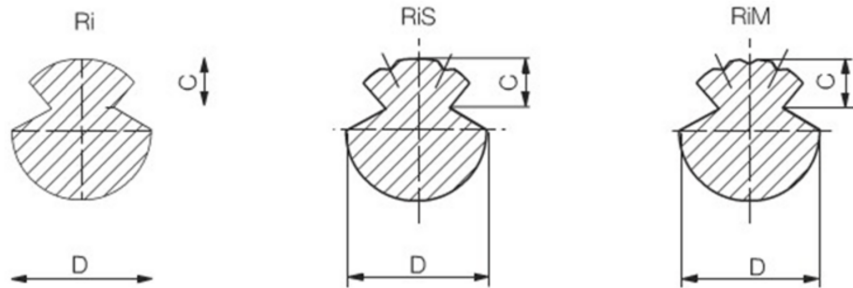
Variante: Grooved contact wire

Product	Grooved contact wire
Manufacturer	Rail Power Systems GmbH
Material number	3EGF002737



Mechanical values

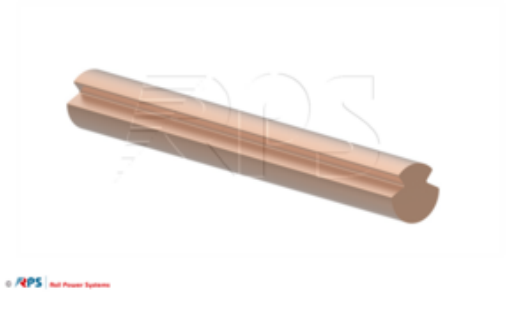
	Value
Name	Grooved contact wire
Material	Cu
Weight	0,89 kg
Build Type	Ri 100
Diameter	12,0 mm
Material-ID	3EGF002737



Grooved contact wire (DIN 43 141)

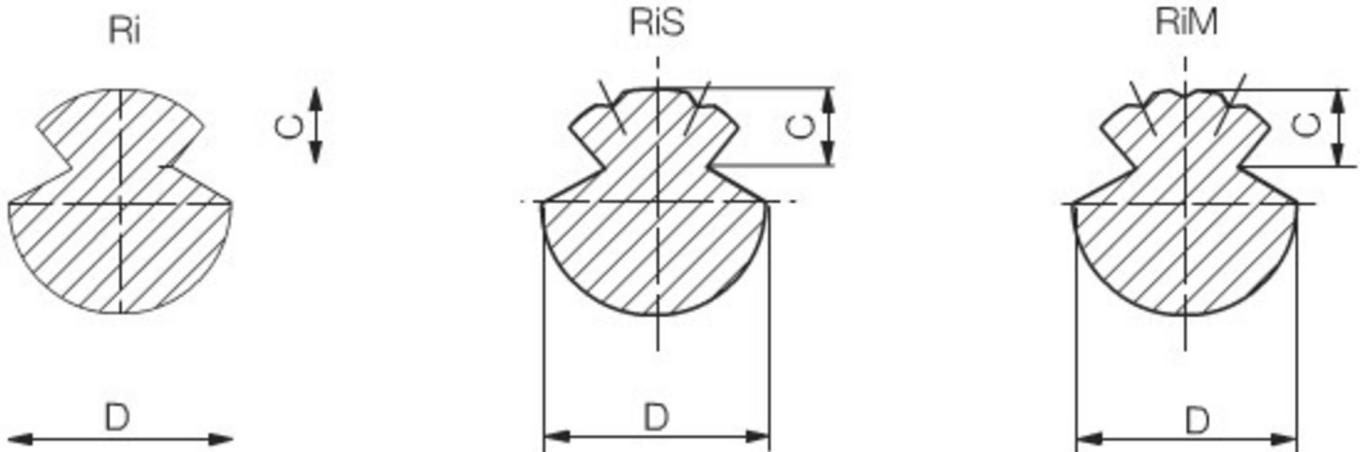
Variante: Grooved contact wire

Product	Grooved contact wire
Manufacturer	Rail Power Systems GmbH
Material number	3EGF002738



Mechanical values

	Value
Name	Grooved contact wire
Material	Cu
Weight	1,07 kg
Build Type	Ri 120
Diameter	13,2 mm
Material-ID	3EGF002738

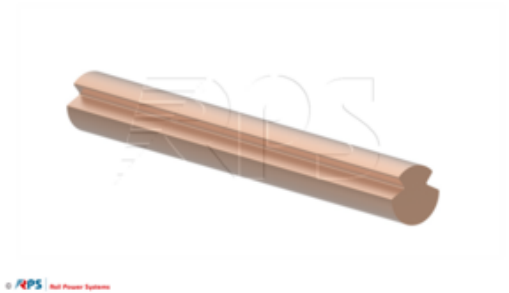


Contact line components > Accessories (wires, ropes, tubes) > Contact wires

Grooved contact wire (DIN 43 141)

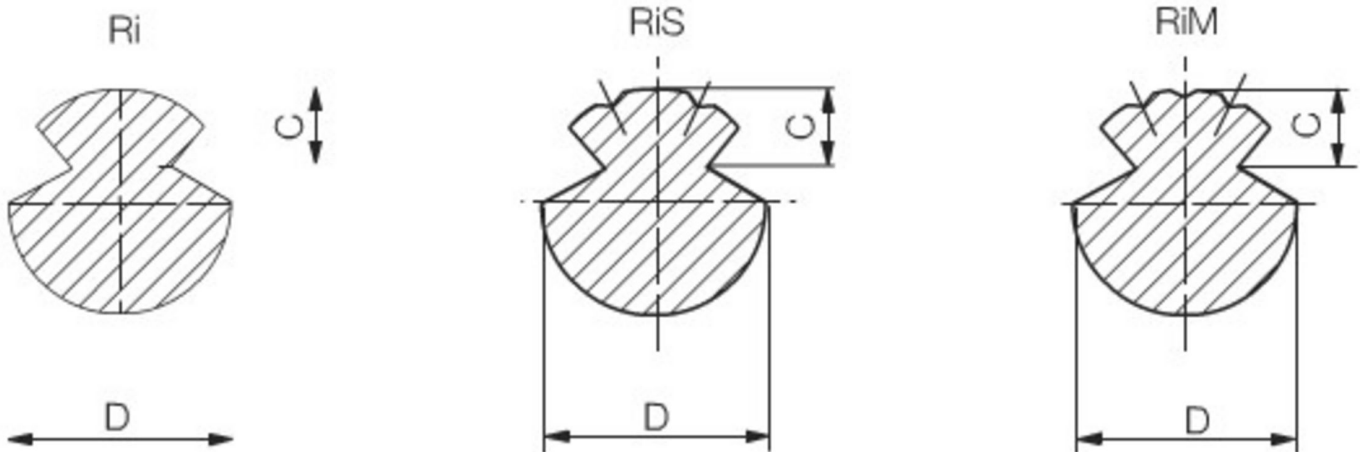
Variante: Grooved contact wire

Product	Grooved contact wire
Manufacturer	Rail Power Systems GmbH
Material number	3EGF002740



Mechanical values

	Value
Name	Grooved contact wire
Material	Cu
Weight	0,89 kg
Build Type	RiS 100
Diameter	12,0 mm
Material-ID	3EGF002740

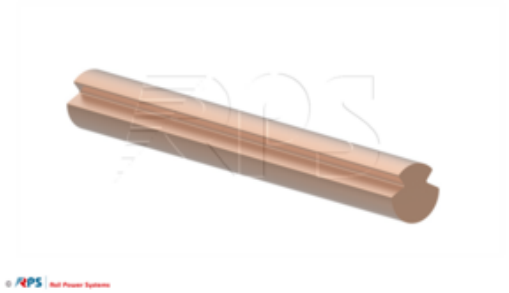


Contact line components > Accessories (wires, ropes, tubes) > Contact wires

Grooved contact wire (DIN 43 141)

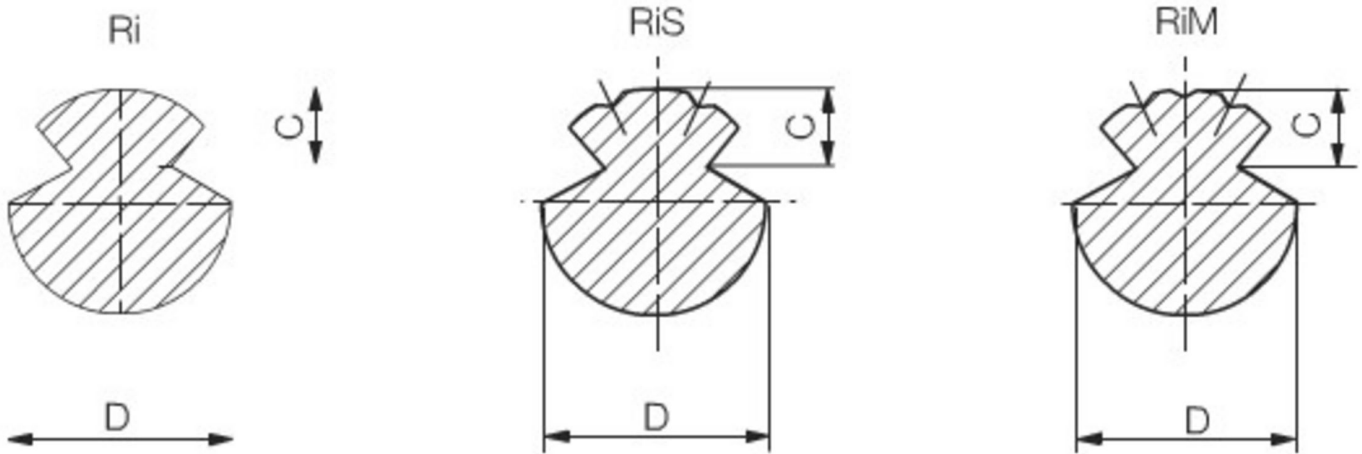
Variante: Grooved contact wire

Product	Grooved contact wire
Manufacturer	Rail Power Systems GmbH
Material number	3EGF002741



Mechanical values

	Value
Name	Grooved contact wire
Material	Cu
Weight	1,07 kg
Build Type	RiS 120
Diameter	13,2 mm
Material-ID	3EGF002741

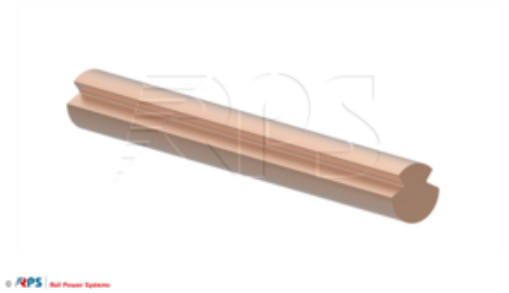


Contact line components > Accessories (wires, ropes, tubes) > Contact wires

Grooved contact wire (DIN 43 141)

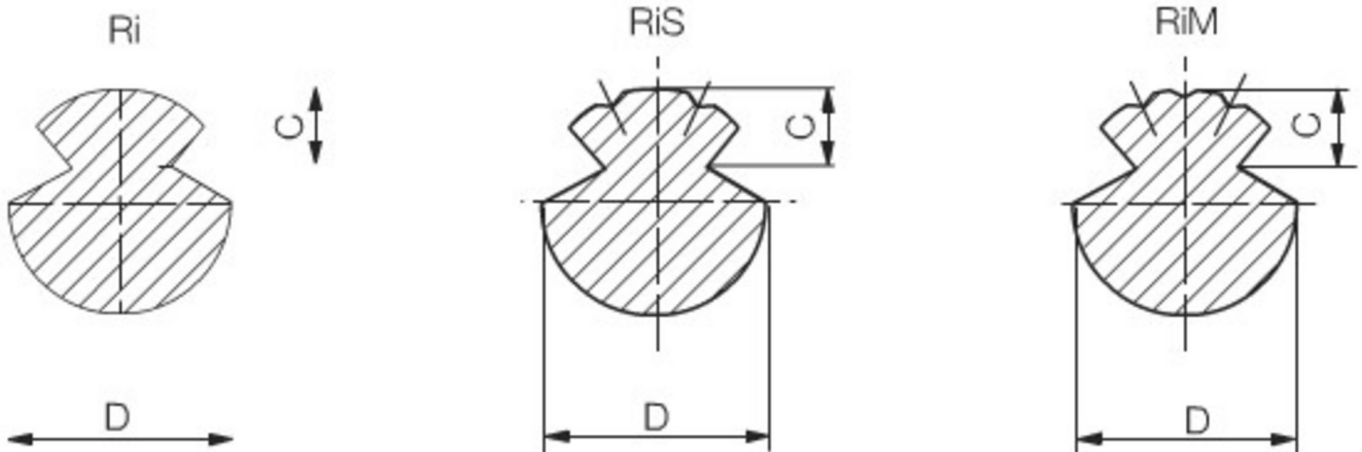
Variante: Grooved contact wire

Product	Grooved contact wire
Manufacturer	Rail Power Systems GmbH
Material number	3EGF008968



Mechanical values

	Value
Name	Grooved contact wire
Material	Cu
Weight	1,07 kg
Build Type	RiM 120
Diameter	13,2 mm
Material-ID	3EGF008968

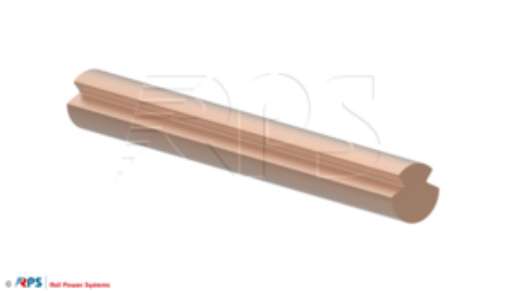


Contact line components > Accessories (wires, ropes, tubes) > Contact wires

Grooved contact wire (DIN 43 141)

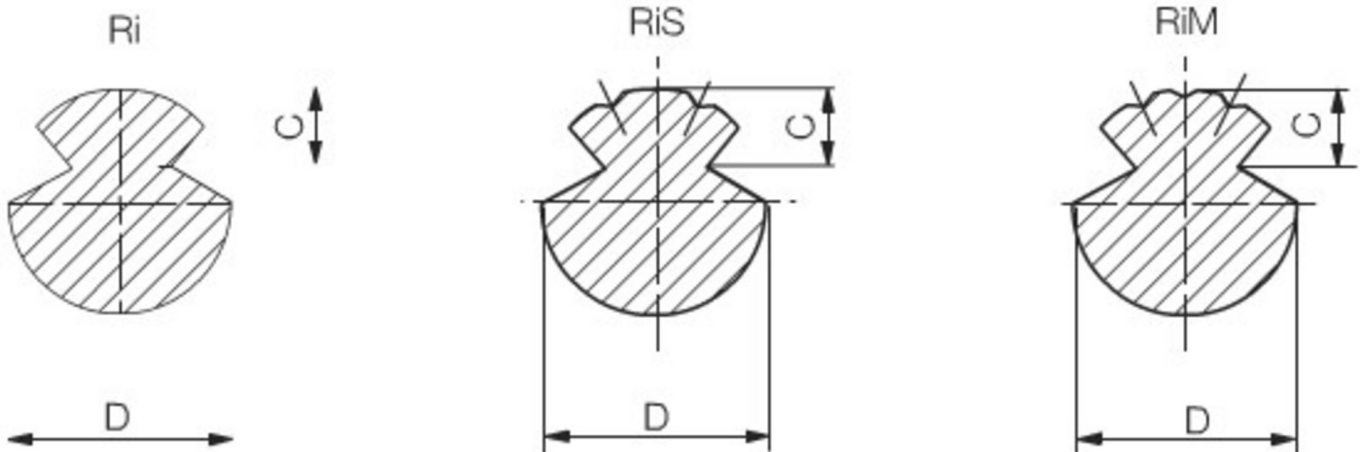
Variante: Grooved contact wire

Product	Grooved contact wire
Manufacturer	Rail Power Systems GmbH
Material number	3EGF011800



Mechanical values

	Value
Name	Grooved contact wire
Material	Cu
Weight	1,34 kg
Build Type	Ri 150
Diameter	14,8 mm
Material-ID	3EGF011800



Round copper wire (DIN 46 431)

Variante: Round copper wire

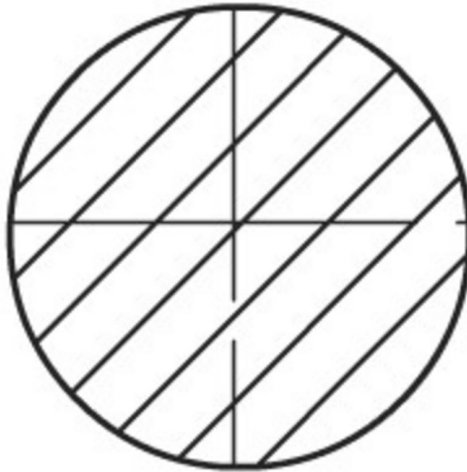
Product	Round copper wire
Manufacturer	Rail Power Systems GmbH
Material number	3EGF002723



© RPS Rail Power Systems

Mechanical values

	Value
Name	Round copper wire
Material	Cu
Weight	0,044 kg
Diameter	2,5 mm
Rope Q	4,91 mm ²
Drawing Number	Ebs 20.01.01
Material-ID	3EGF002723



Contact line components > Accessories (wires, ropes, tubes) > Contact wires

Round copper wire (DIN 46 431)

Variante: Round copper wire

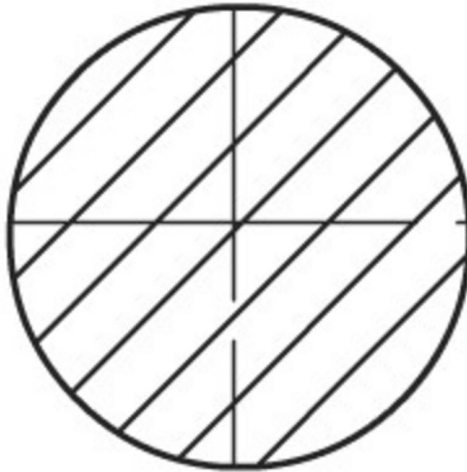
Product	Round copper wire
Manufacturer	Rail Power Systems GmbH
Material number	3EGF002724



For section insulator suspension.

Mechanical values

	Value
Name	Round copper wire
Material	Cu
Weight	0,112 kg
Diameter	4,0 mm
Rope Q	12,57 mm ²
Drawing Number	Ebs 20.01.01
Material-ID	3EGF002724



Round steel wire (DIN EN 10278)

Variante: Wire

Product	Wire
Manufacturer	Rail Power Systems GmbH
Material number	3EGF002696

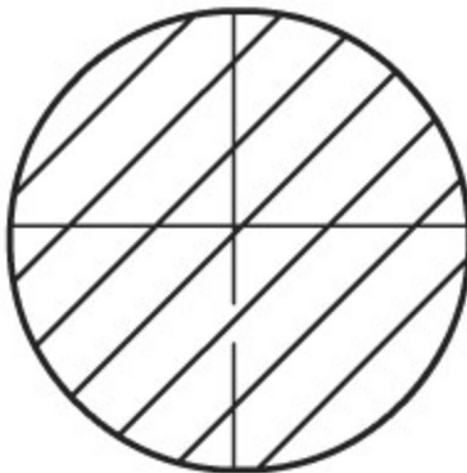


© RPS Rail Power Systems

For windstay.

Mechanical values

	Value
Name	Wire
Material	nrSt
Weight	0,055 kg
Diameter	3,0 mm
Rope Q	7,0 mm ²
Material-ID	3EGF002696



Steel wire for earthing and return current (DIN 43 137)

Variante: Wire

Product	Wire
Manufacturer	Rail Power Systems GmbH
Material number	3EGF002697



© RPS Rail Power Systems

for earthing and return current

Mechanical values

	Value
Name	Wire
Material	St-tzn
Weight	0,617 kg
Rope Q	80 mm ²
Tear Strength	340
Drawing Number	Ebs 20.01.01
Material-ID	3EGF002697

