

# Transverse structures

## Bridle wire support clamp

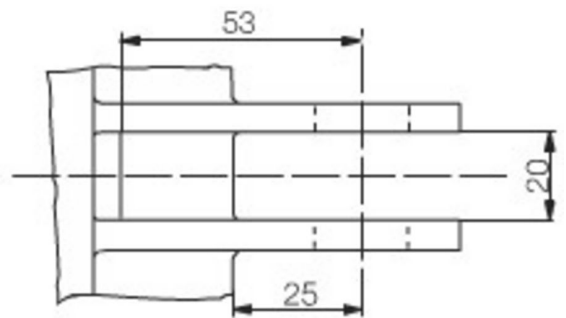
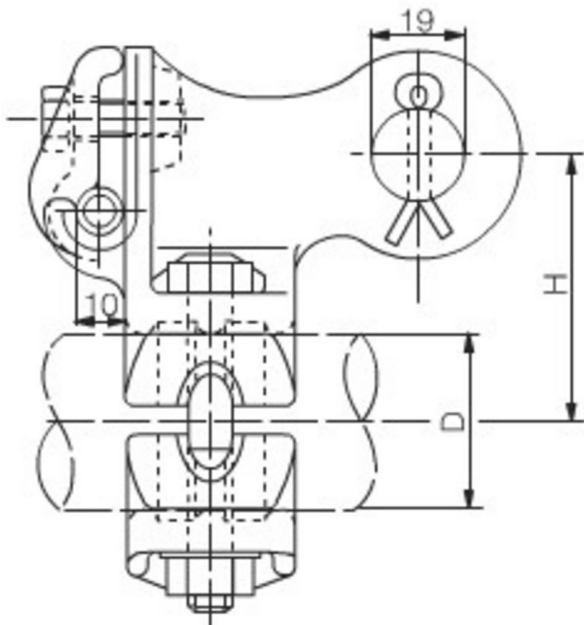
### Variante: Bridle wire support clamp D42

<b>Product</b>	Bridle wire support clamp D42
<b>Manufacturer</b>	Rail Power Systems GmbH
<b>Material number</b>	3EGF006248



## Mechanical values

	Value
Name	Bridle wire support clamp D42
Build Type	with clamping cap
Material	AC-42100
Weight	0,61 kg
Rope Diameter	17 mm
Diameter	42 mm
Material-ID	3EGF006248



## Pulley suspension

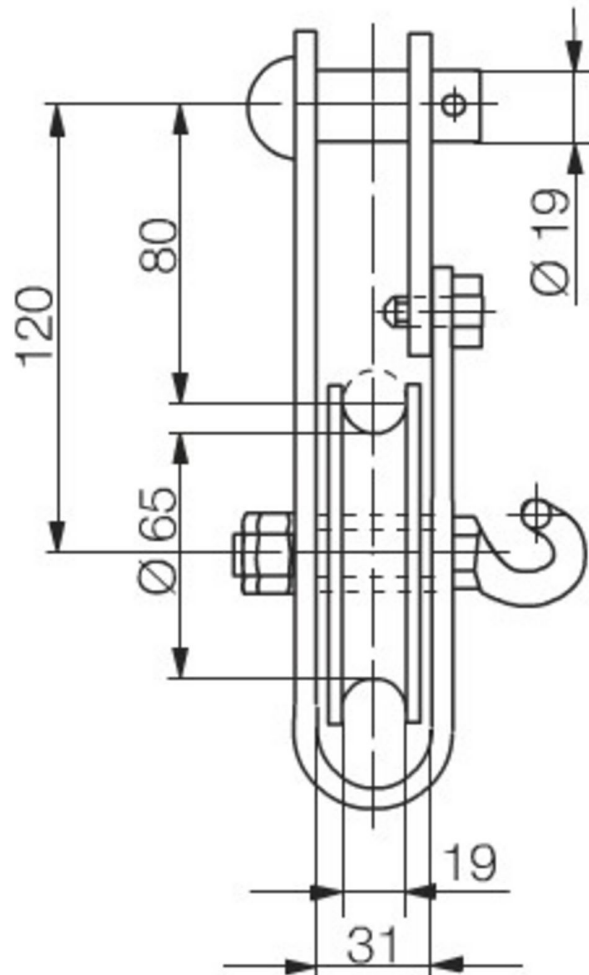
### Variante: Pulley suspension wire 185

<b>Product</b>	Pulley suspension wire 185
<b>Manufacturer</b>	Rail Power Systems GmbH
<b>Material number</b>	3EGF006819



## Mechanical values

	Value
Name	Pulley suspension wire 185
Rope Q	185 mm <sup>2</sup>
Rope Diameter	17 mm
Weight	0,64 kg
Material-ID	3EGF006819



Contact line components > Cantilevers and support points > Transverse structures

## Pulley suspension

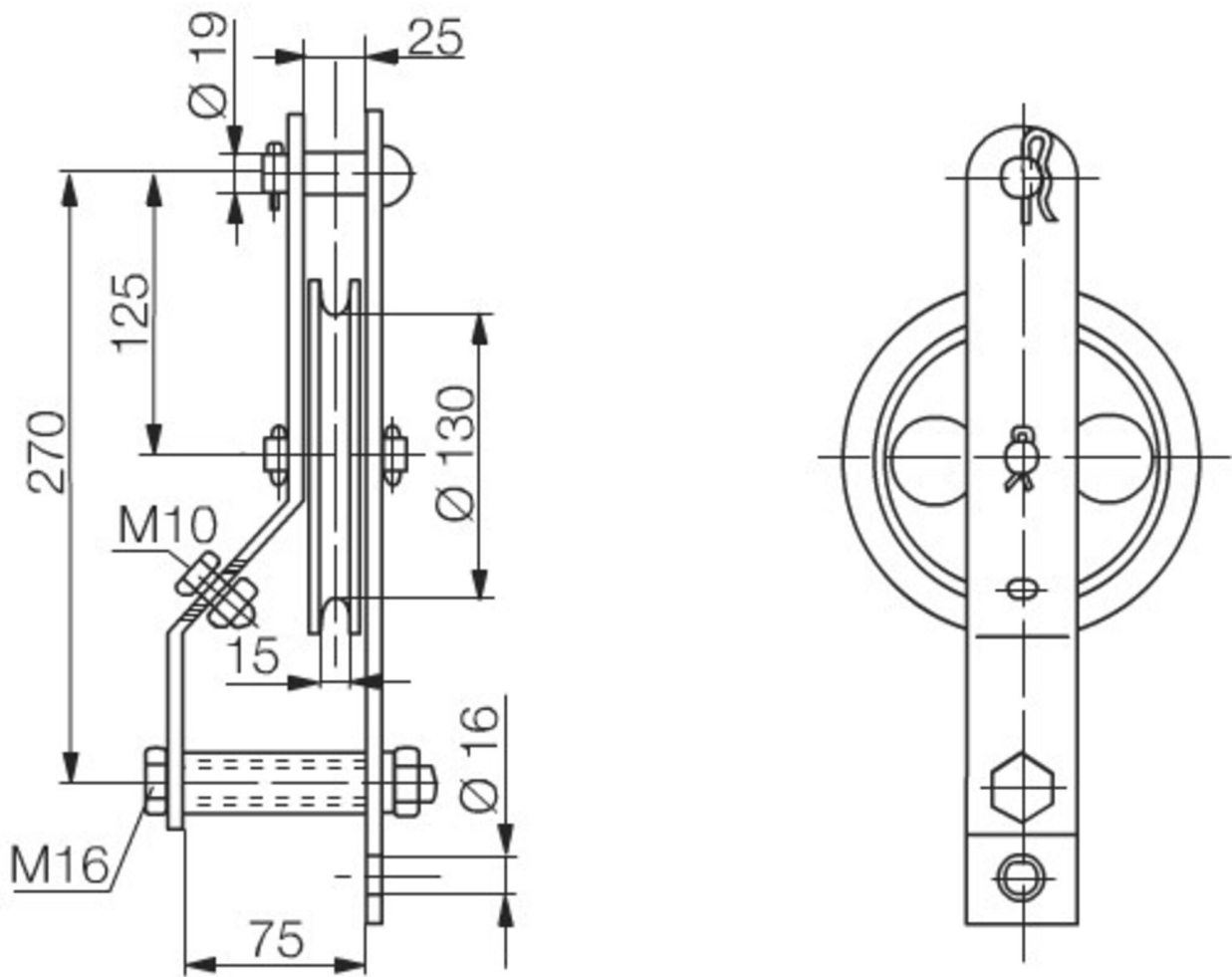
### Variante: Pulley suspension wire 70

<b>Product</b>	Pulley suspension wire 70
<b>Manufacturer</b>	Rail Power Systems GmbH
<b>Material number</b>	3EGF009669



## Mechanical values

	Value
Name	Pulley suspension wire 70
Ebs	Ebs 06.93.05-2
Rope Q	70 mm <sup>2</sup>
Rope Diameter	15 mm
Weight	3,48 kg
Material-ID	3EGF009669



## Contact wire clamp support at cross-span wire

### Variante: Contact wire clamp support insulated DC 1.5 kV

<b>Product</b>	Contact wire clamp support insulated DC 1.5 kV
<b>Manufacturer</b>	Rail Power Systems GmbH
<b>Material number</b>	3EGF007562

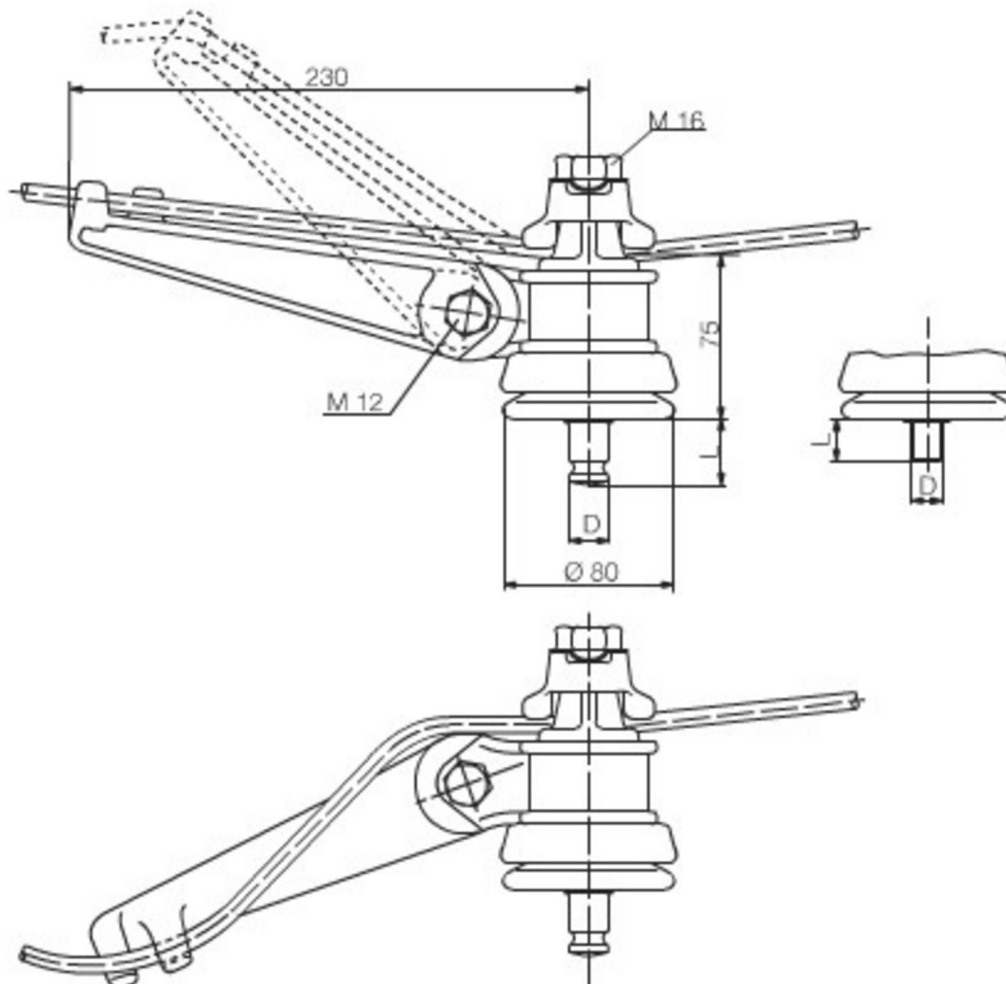


Epoxy resin insulator

with adjustable lever

## Mechanical values

	Value
Name	Contact wire clamp support insulated DC 1.5 kV
Build Type	with circular groove pin
Weight	1,49 kg
Rope Diameter	5 - 9 mm
Material-ID	3EGF007562

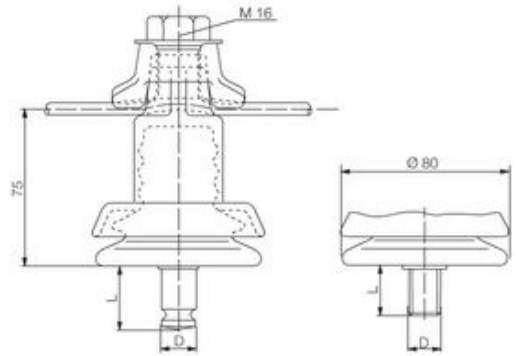


Contact line components > Cantilevers and support points > Transverse structures

## Contact wire clamp support at cross-span wire

**Variante: Contact wire clamp support insulated DC 1.5 kV**

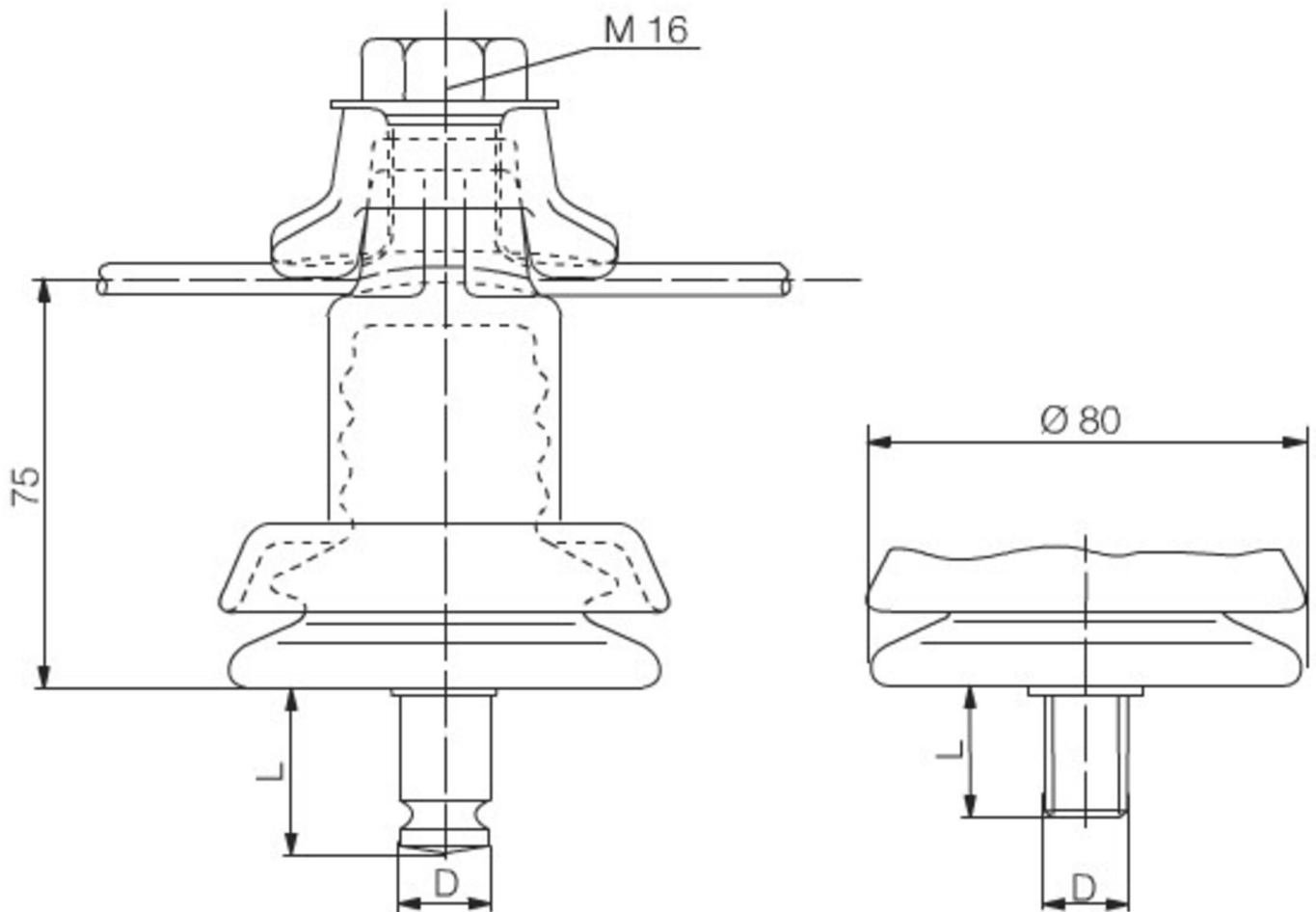
**Product** Contact wire clamp support insulated DC 1.5 kV  
**Manufacturer** Rail Power Systems GmbH  
**Material number** 3EGF011669



Epoxy resin insulator

## Mechanical values

	Value
Name	Contact wire clamp support insulated DC 1.5 kV
Build Type	with circular groove pin
Weight	0,84 kg
Rope Diameter	5 - 9 mm
Material-ID	3EGF011669

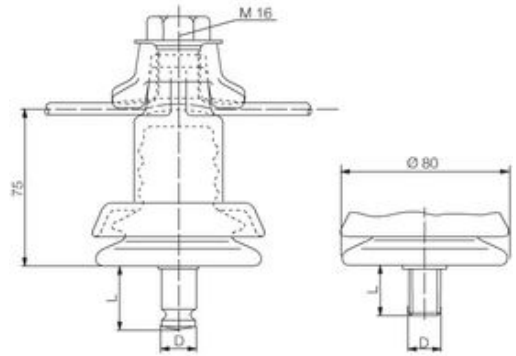


Contact line components > Cantilevers and support points > Transverse structures

## Contact wire clamp support at cross-span wire

**Variante: Contact wire clamp support insulated DC 1.5 kV**

**Product** Contact wire clamp support insulated DC 1.5 kV  
**Manufacturer** Rail Power Systems GmbH  
**Material number** 3EGF011670

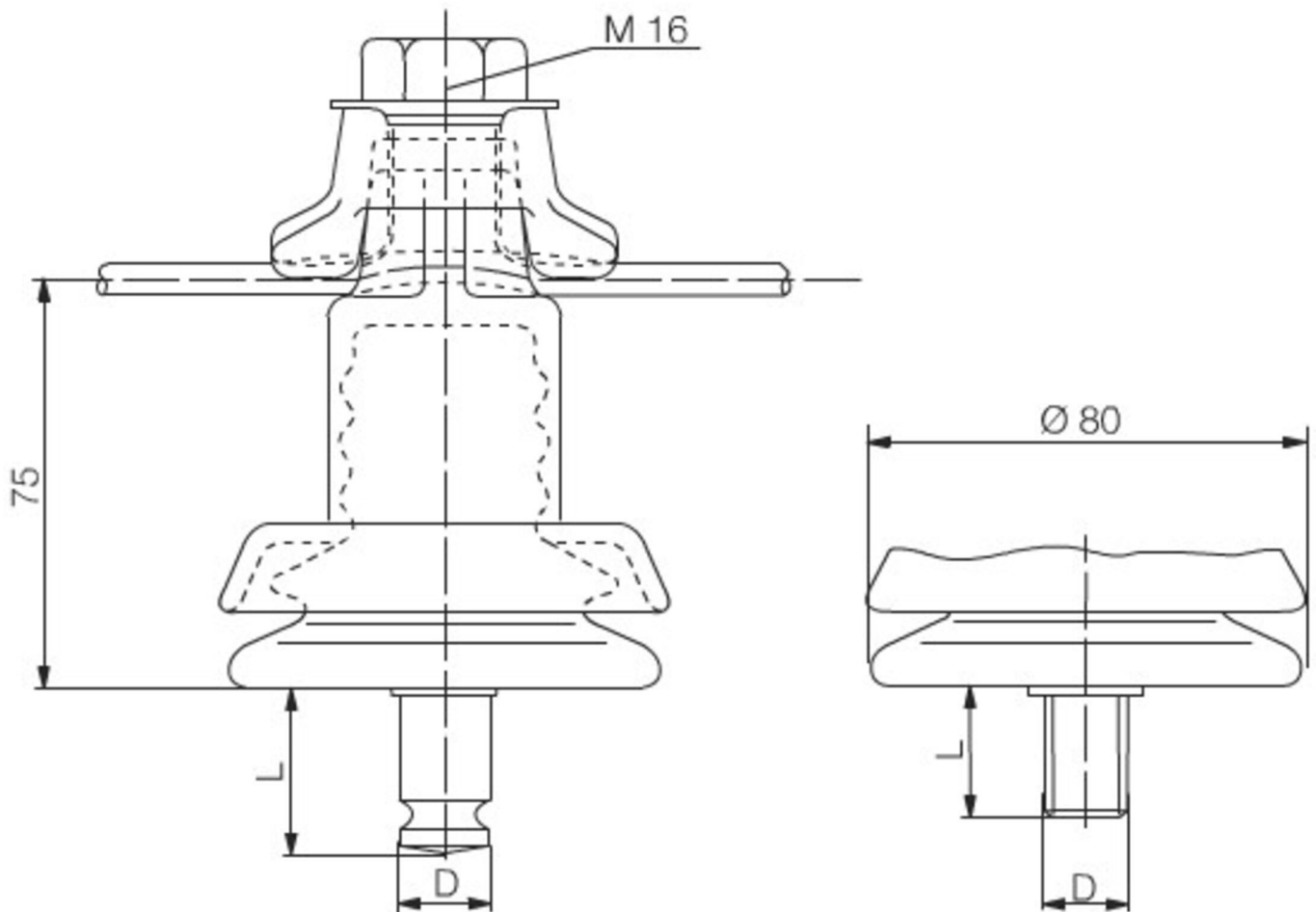


Epoxy resin insulator

Length M16-Bolt: 18 mm

## Mechanical values

	Value
Name	Contact wire clamp support insulated DC 1.5 kV
Build Type	with M16-bolt
Weight	0,84 kg
Rope Diameter	5 - 9 mm
Material-ID	3EGF011670

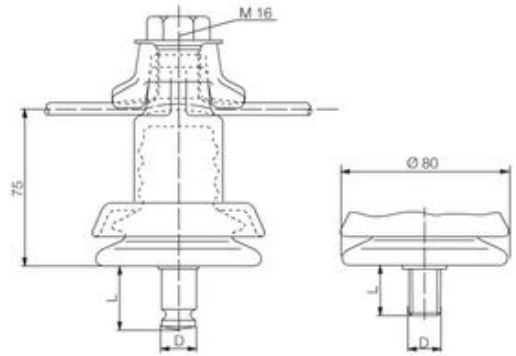


Contact line components > Cantilevers and support points > Transverse structures

## Contact wire clamp support at cross-span wire

**Variante: Contact wire clamp support insulated DC 1.5 kV**

**Product** Contact wire clamp support insulated DC 1.5 kV  
**Manufacturer** Rail Power Systems GmbH  
**Material number** 3EGF011671

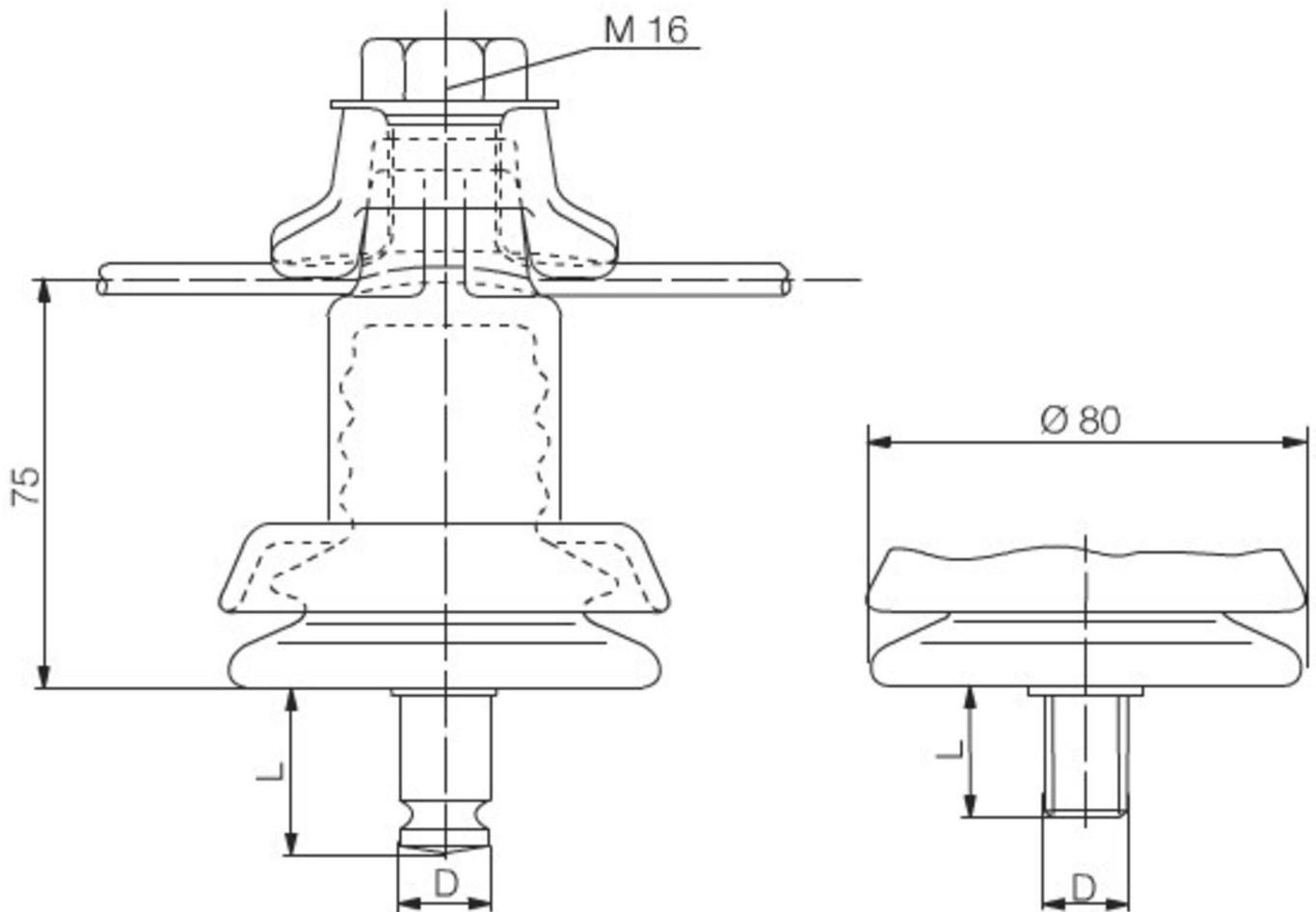


Epoxy resin insulator

Length M16-Bolt: 25 mm

## Mechanical values

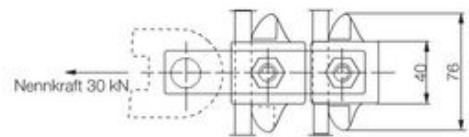
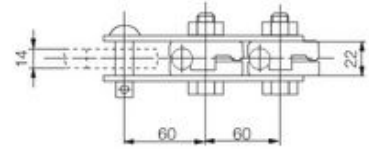
	Value
Name	Contact wire clamp support insulated DC 1.5 kV
Build Type	with M16-bolt
Weight	0,84 kg
Rope Diameter	5 - 9 mm
Material-ID	3EGF011671



## Pull-off clamps

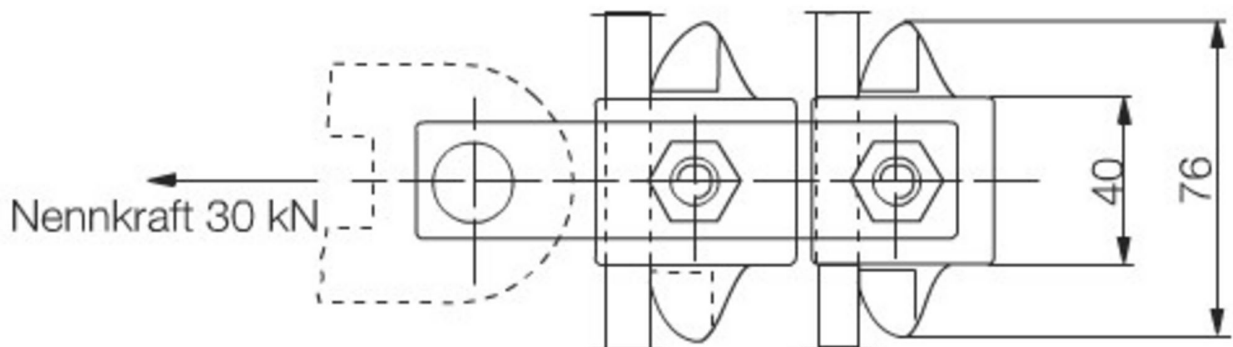
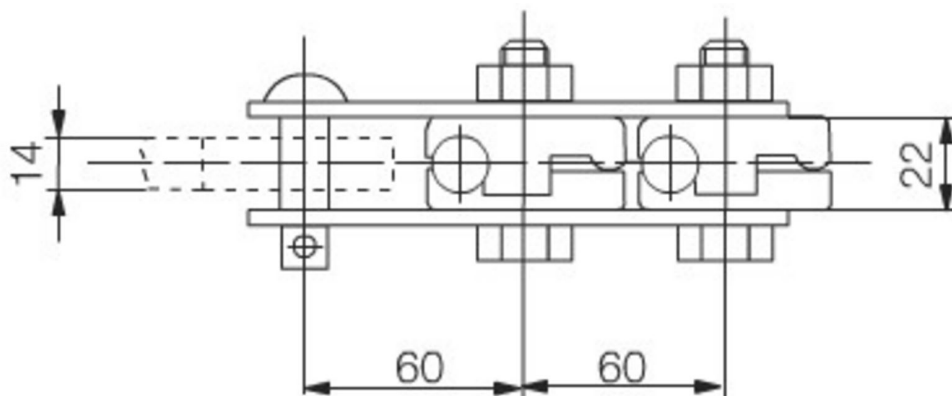
### Variante: Pull-off clamp 2 wires 150

**Product** Pull-off clamp 2 wires 150  
**Manufacturer** Rail Power Systems GmbH  
**Material number** 3EGF006920



## Mechanical values

	Value
Name	Pull-off clamp 2 wires 150
Build Type	one-side connecting fishplate
Material	CC493K
Weight	1,16 kg
Rope Q	150 mm <sup>2</sup>
Rope Diameter	16 mm
Material-ID	3EGF006920

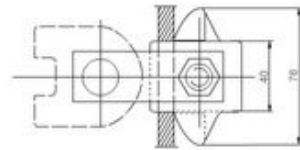
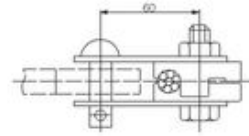


Contact line components > Cantilevers and support points > Transverse structures

## Pull-off clamps

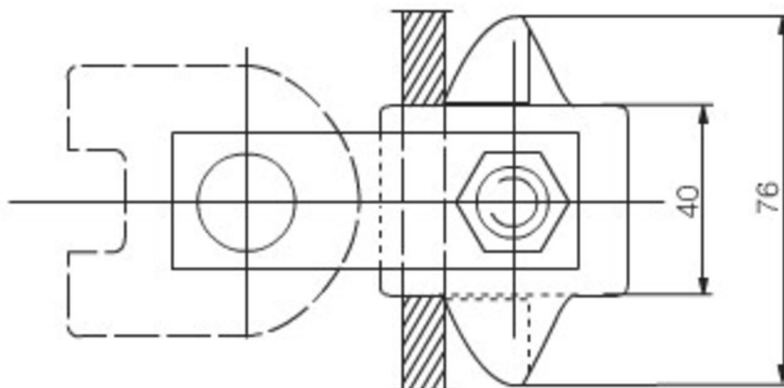
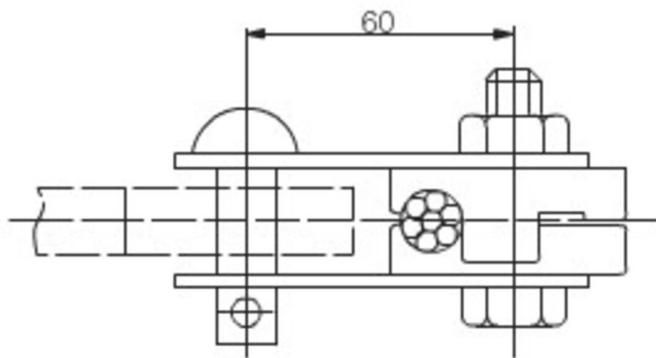
### Variante: Pull-off clamp wire 150

**Product** Pull-off clamp wire 150  
**Manufacturer** Rail Power Systems GmbH  
**Material number** 3EGF008817



## Mechanical values

	Value
Name	Pull-off clamp wire 150
Build Type	bothside connecting fishplate
Material	CC493K
Weight	0,77 kg
Rope Q	150 mm <sup>2</sup>
Rope Diameter	16 mm
Material-ID	3EGF008817

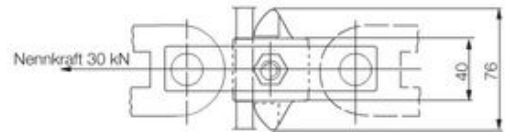
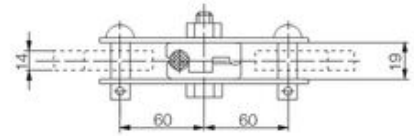


Contact line components > Cantilevers and support points > Transverse structures

## Pull-off clamps

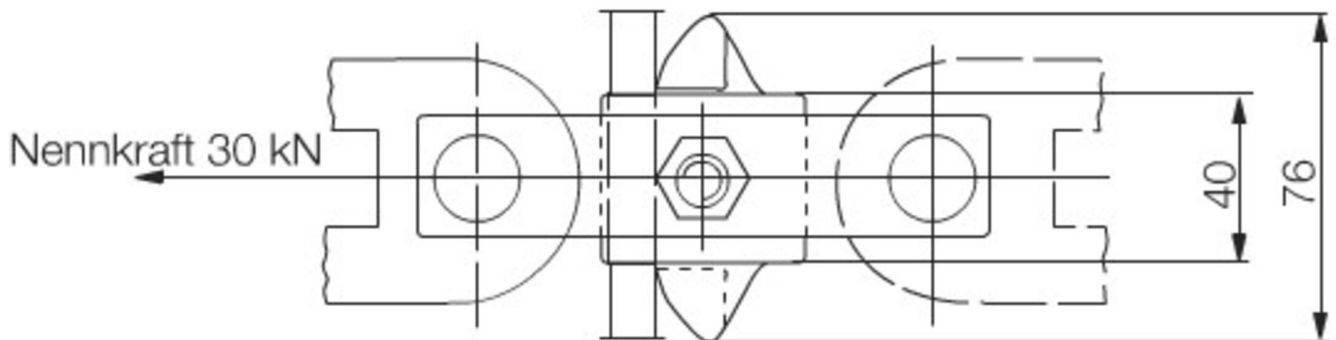
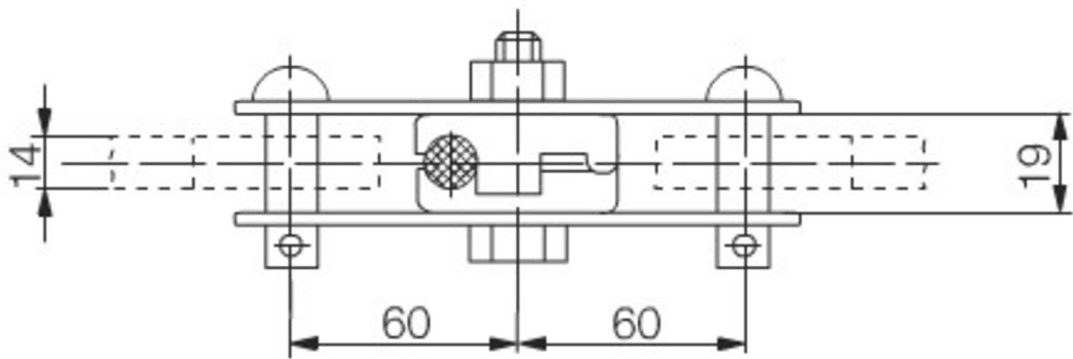
### Variante: Pull-off clamp wire 150

**Product** Pull-off clamp wire 150  
**Manufacturer** Rail Power Systems GmbH  
**Material number** 3EGF008818



## Mechanical values

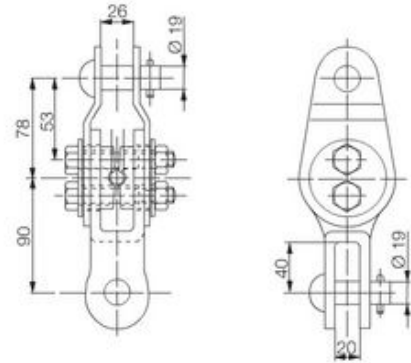
	Value
Name	Pull-off clamp wire 150
Build Type	one-side connecting fishplate
Material	CC493K
Weight	0,92 kg
Rope Q	150 mm <sup>2</sup>
Rope Diameter	16 mm
Material-ID	3EGF008818



## Cross span wire clamp wires

### Variante: Cross span wire clamp wire 50 - 95

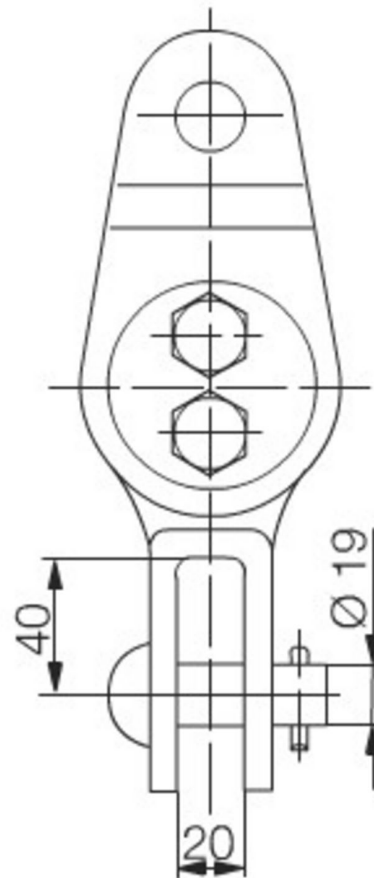
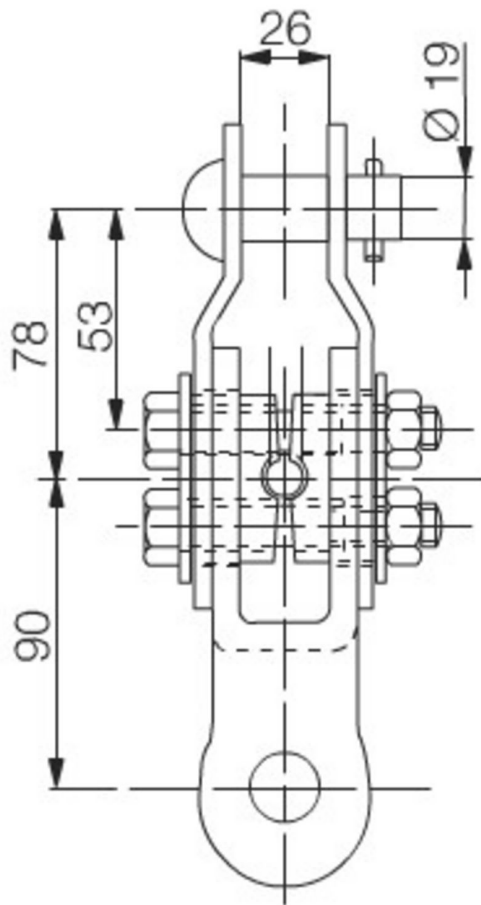
**Product** Cross span wire clamp wire 50 - 95  
**Manufacturer** Rail Power Systems GmbH  
**Material number** 3EGF001577



for span wires 50 - 95

## Mechanical values

	Value
Name	Cross span wire clamp wire 50 - 95
Ebs	Ebs 06.93.16-1 A
Material	JM1030
Weight	2,18 kg
Rope Q	50 - 95 mm <sup>2</sup>
Rope Diameter	12 mm
Material-ID	3EGF001577



Contact line components > Cantilevers and support points > Transverse structures

© Rail Power Systems GmbH - All rights reserved.

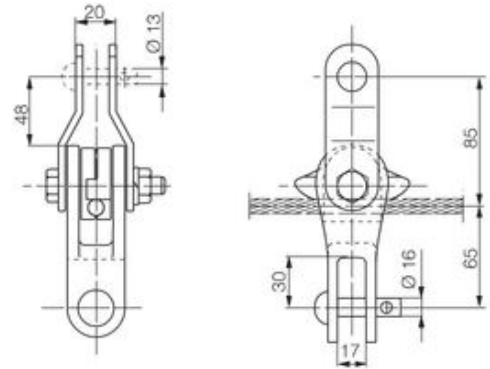
The distribution of the document is only permitted within the context of the intended use.

Any use beyond is not permitted without the written authorization of Rail Power Systems GmbH.

## Cross span wire clamp wires

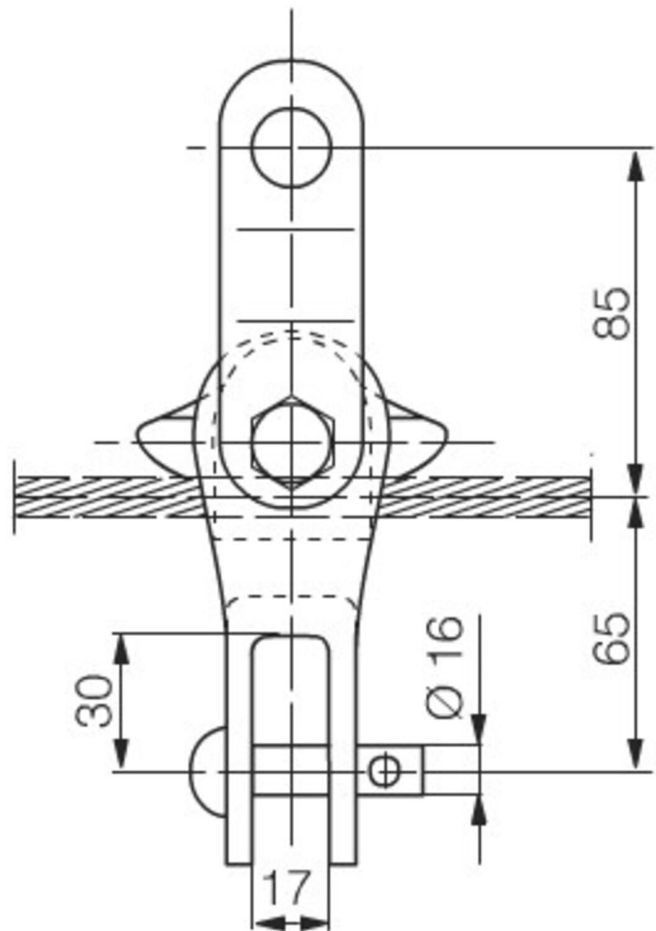
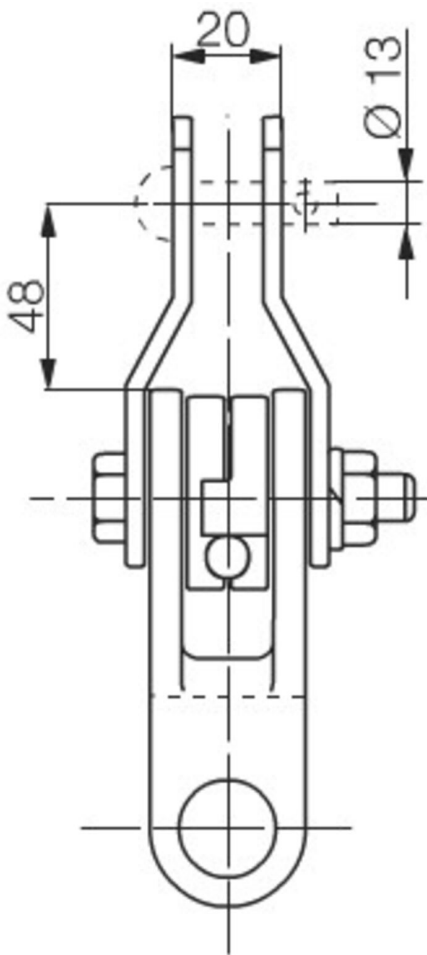
**Variante: Cross span wire clamp wire 50/70**

**Product** Cross span wire clamp wire 50/70  
**Manufacturer** Rail Power Systems GmbH  
**Material number** 3EGF007514



## Mechanical values

	Value
Name	Cross span wire clamp wire 50/70
Material	CC331G
Weight	1,16 kg
Rope Q	50/70 mm <sup>2</sup>
Rope Diameter	11 mm
Material-ID	3EGF007514

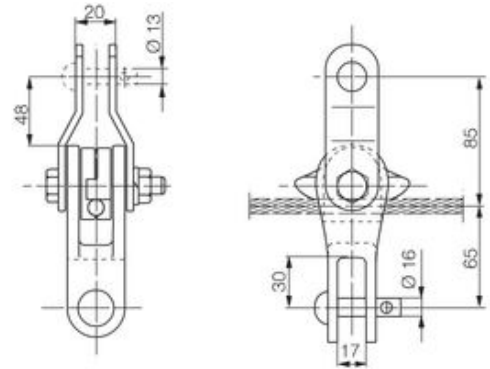


Contact line components > Cantilevers and support points > Transverse structures

## Cross span wire clamp wires

### Variante: Cross span wire clamp wire 35

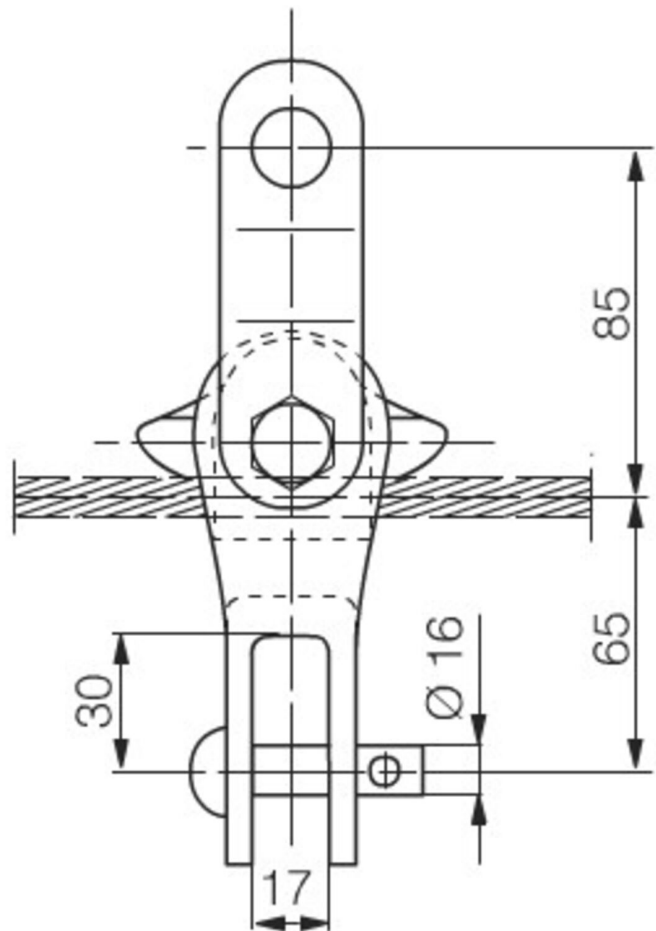
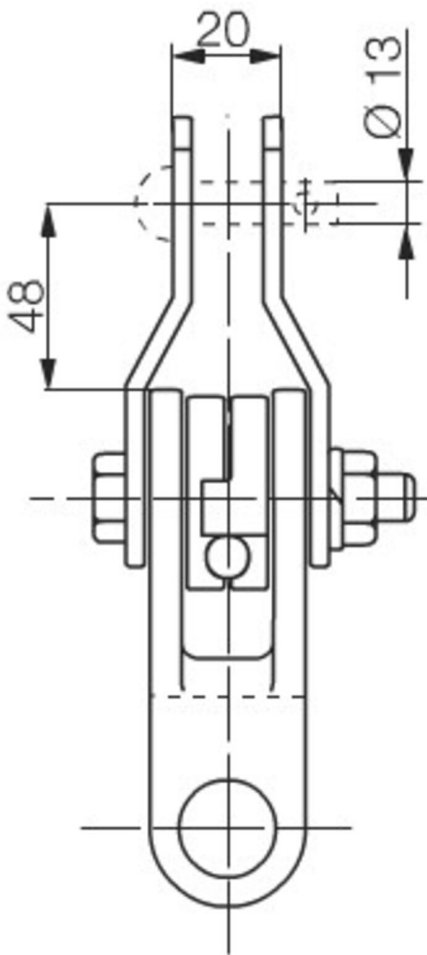
**Product** Cross span wire clamp wire 35  
**Manufacturer** Rail Power Systems GmbH  
**Material number** 3EGF007515



For span wires 50 - 95

## Mechanical values

	Value
Name	Cross span wire clamp wire 35
Material	CC331G
Weight	1,09 kg
Rope Q	35 mm <sup>2</sup>
Rope Diameter	8 mm
Material-ID	3EGF007515



## Cross span eye clamps

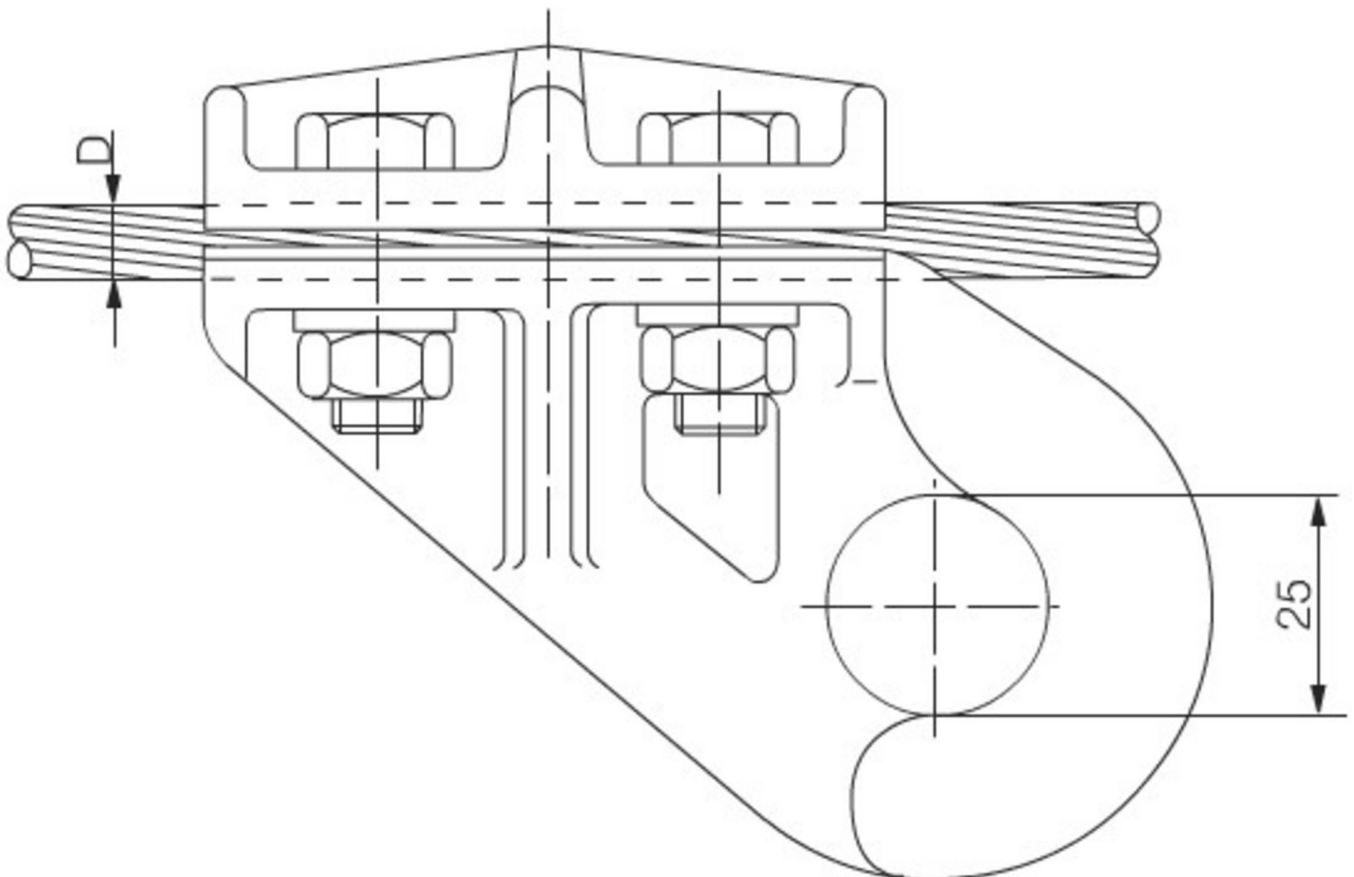
### Variante: Cross span eye clamp wire 50/70

<b>Product</b>	Cross span eye clamp wire 50/70
<b>Manufacturer</b>	Rail Power Systems GmbH
<b>Material number</b>	3EGF001565



## Mechanical values

	Value
Name	Cross span eye clamp wire 50/70
Ebs	Ebs 06.93.08-1 A
Material	JM1030
Weight	1,15 kg
Rope Q	50 / 70 mm <sup>2</sup>
Rope Diameter	12 mm
Material-ID	3EGF001565



Contact line components > Cantilevers and support points > Transverse structures

© Rail Power Systems GmbH - All rights reserved.

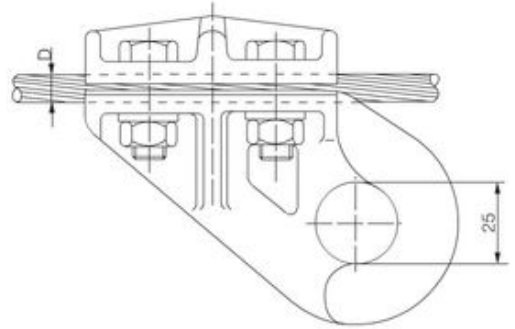
The distribution of the document is only permitted within the context of the intended use.

Any use beyond is not permitted without the written authorization of Rail Power Systems GmbH.

## Cross span eye clamps

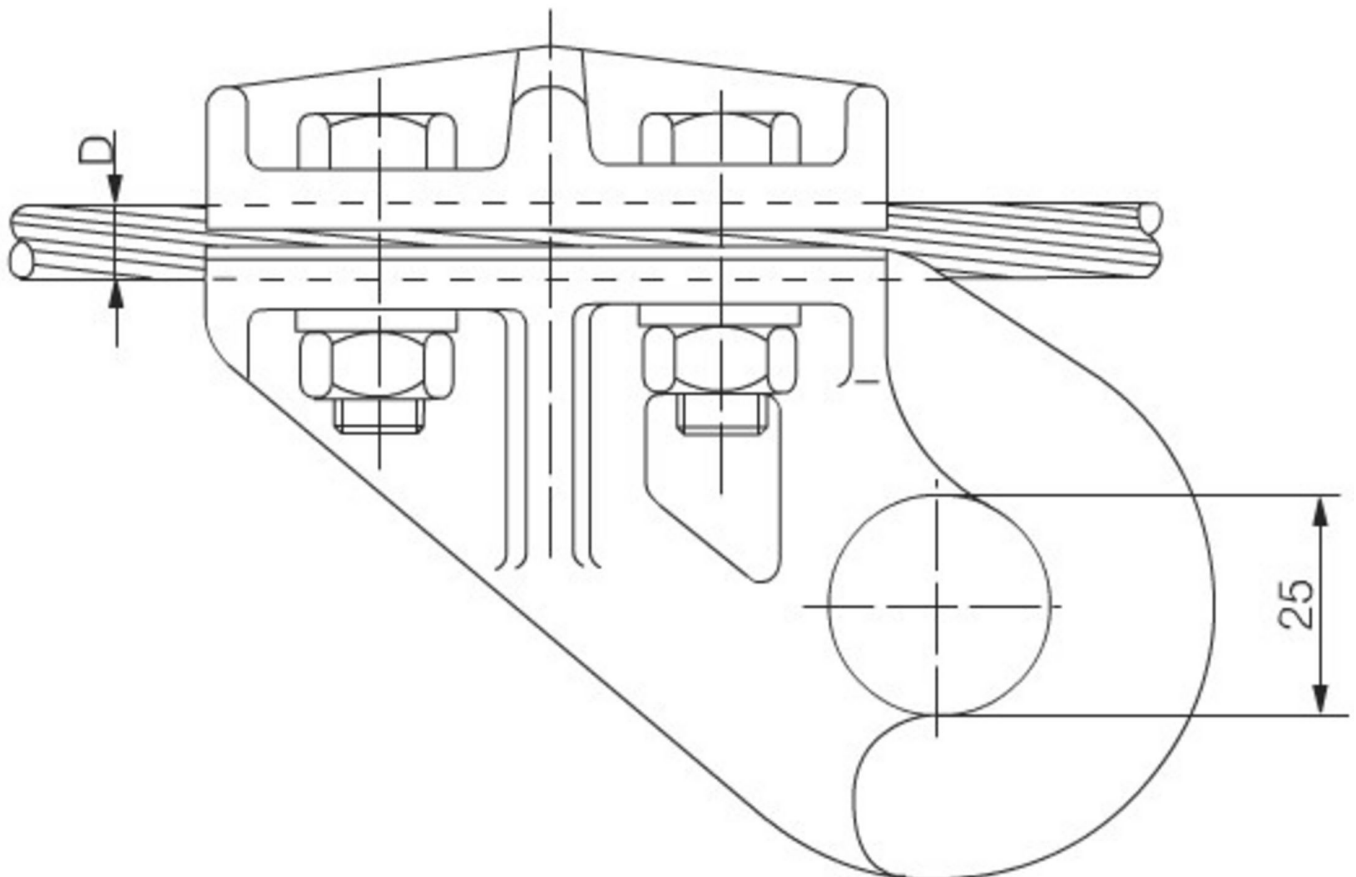
**Variante: Cross span eye clamp wire 95**

**Product** Cross span eye clamp wire 95  
**Manufacturer** Rail Power Systems GmbH  
**Material number** 3EGF001568



## Mechanical values

	Value
Name	Cross span eye clamp wire 95
Ebs	Ebs 06.93.08-1 B
Material	JM1030
Weight	1,33 kg
Rope Q	95 mm <sup>2</sup>
Rope Diameter	12 mm
Material-ID	3EGF001568



Contact line components > Cantilevers and support points > Transverse structures

© Rail Power Systems GmbH - All rights reserved.

The distribution of the document is only permitted within the context of the intended use.

Any use beyond is not permitted without the written authorization of Rail Power Systems GmbH.

## Cross span eye clamps

### Variante: Cross span eye clamp wire D6-8

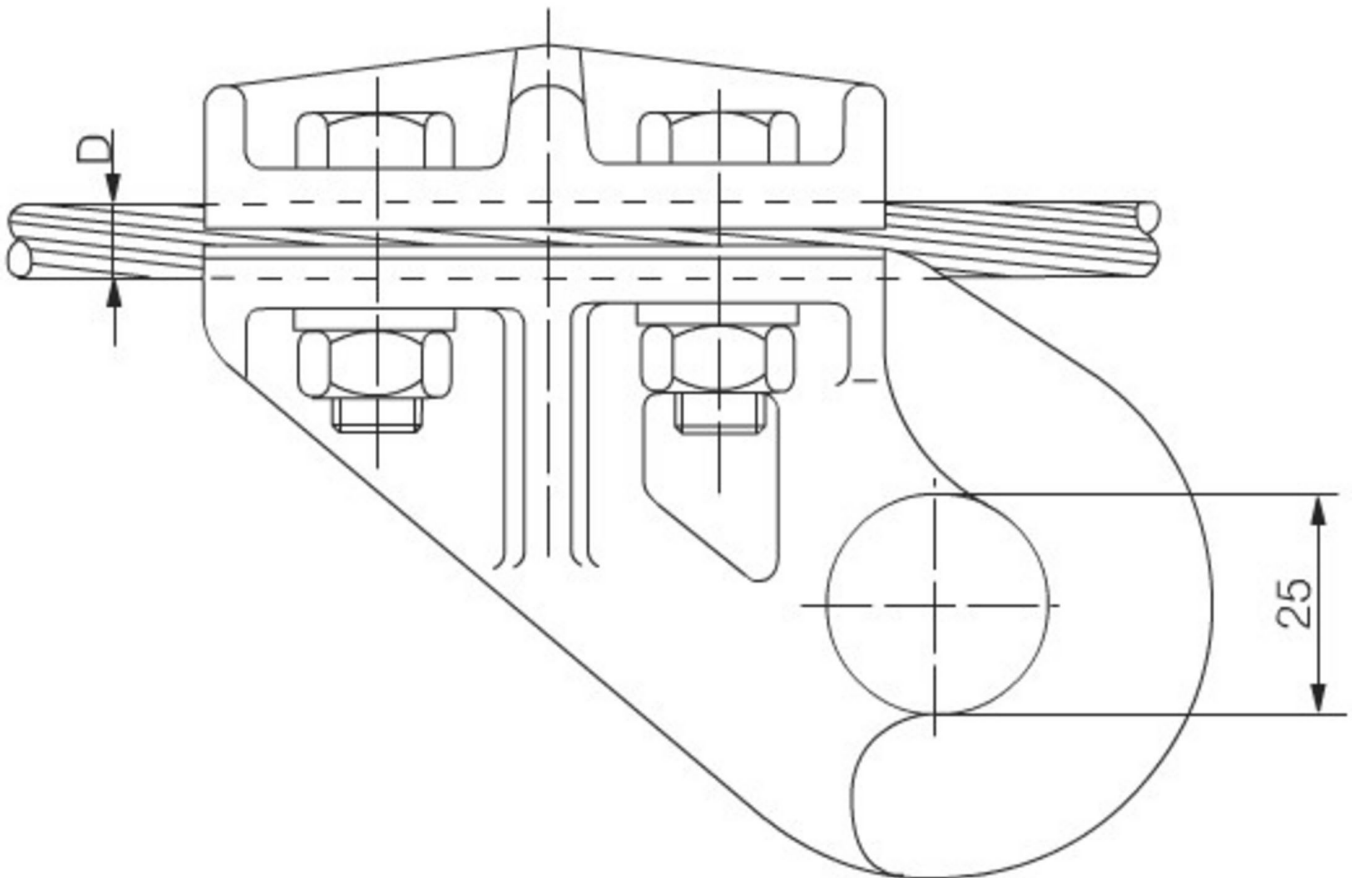
<b>Product</b>	Cross span eye clamp wire D6-8
<b>Manufacturer</b>	Rail Power Systems GmbH
<b>Material number</b>	3EGF006934



For steady arms at cross spans and pull-offs.

## Mechanical values

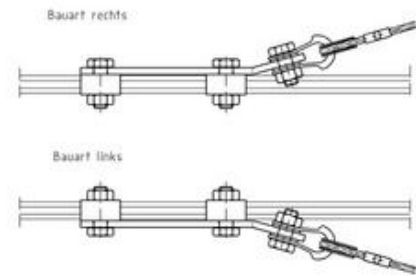
	Value
Name	Cross span eye clamp wire D6-8
Material	AC-42100
Weight	0,43 kg
Rope Diameter	8 mm
Material-ID	3EGF006934



## Delta wire clamps

### Variante: Delta wire clamp 1 CW

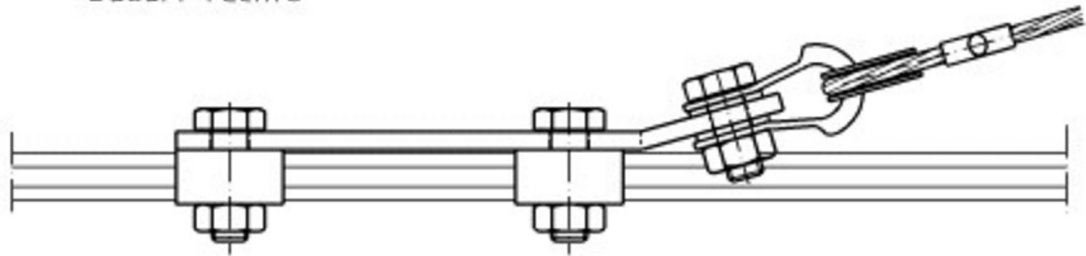
**Product** Delta wire clamp 1 CW  
**Manufacturer** Rail Power Systems GmbH  
**Material number** 3EGF007424



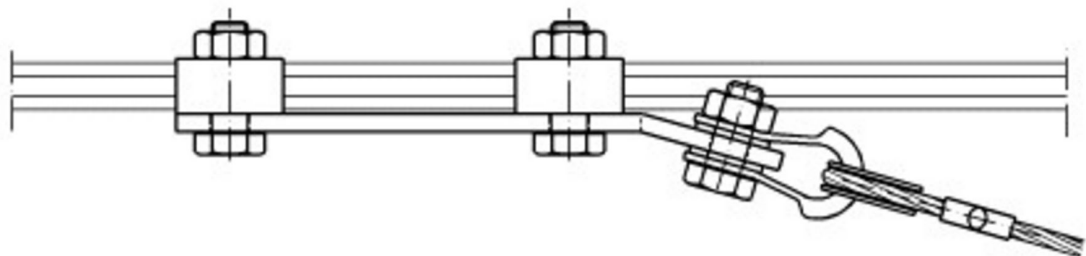
## Mechanical values

	Value
Name	Delta wire clamp 1 CW
Build Type	left
Material	CW004A
Weight	0,43 kg
Material-ID	3EGF007424

Bauart rechts



Bauart links

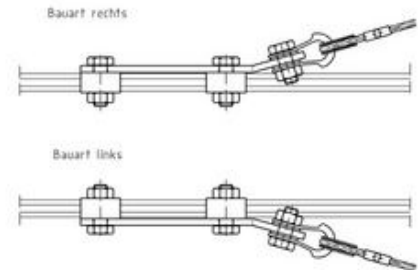


Contact line components > Cantilevers and support points > Transverse structures

## Delta wire clamps

### Variante: Delta wire clamp 1 CW

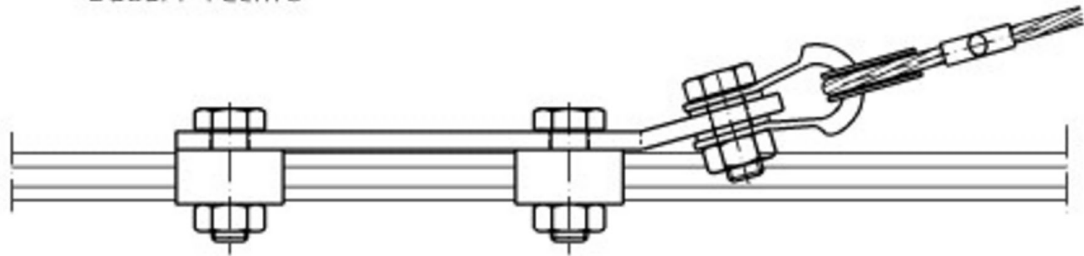
**Product** Delta wire clamp 1 CW  
**Manufacturer** Rail Power Systems GmbH  
**Material number** 3EGF007425



## Mechanical values

	Value
Name	Delta wire clamp 1 CW
Build Type	right
Material	CW004A
Weight	0,43 kg
Material-ID	3EGF007425

Bauart rechts



Bauart links

