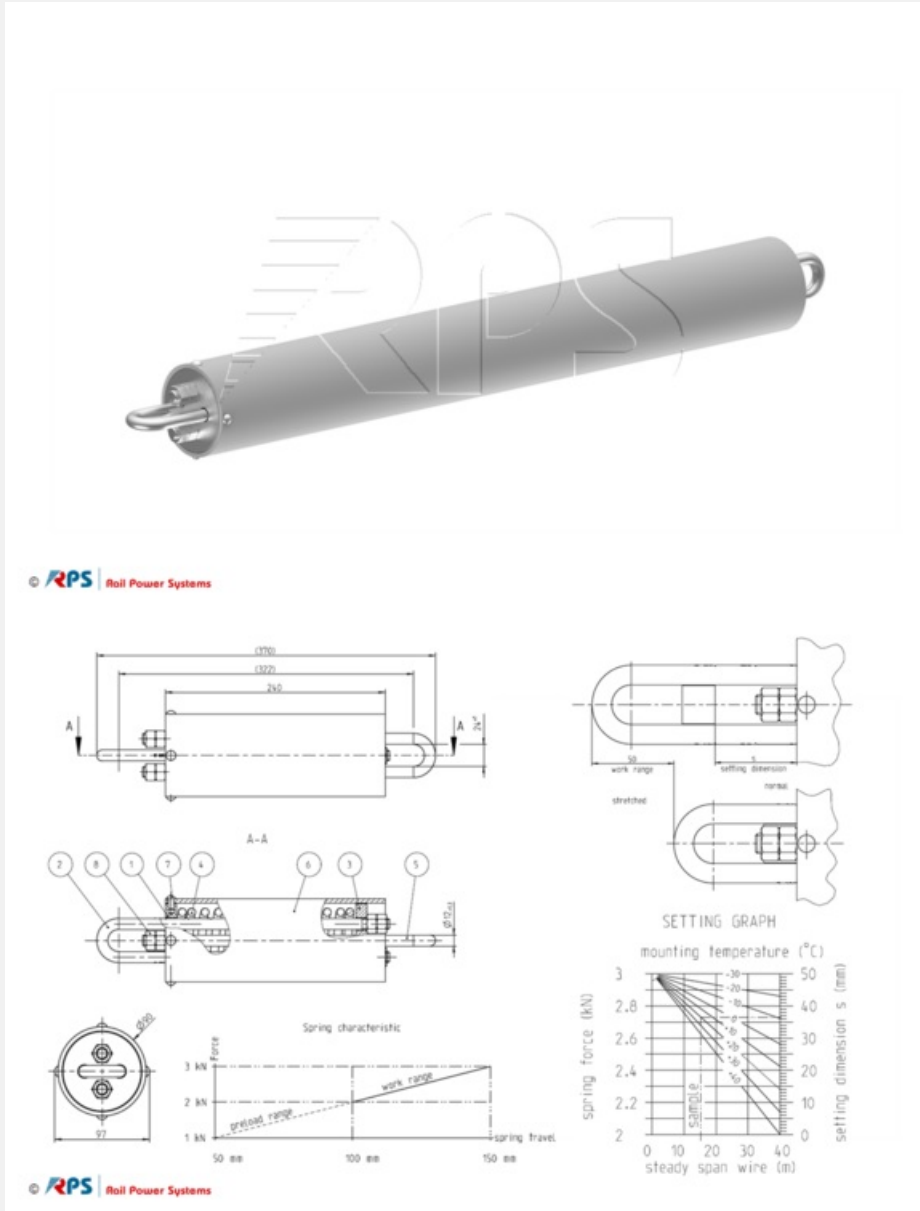


Spring for cross span wires

For cross span wires.

Hub / Stroke: 50 mm;

Kraft / Force: 2-3 kN

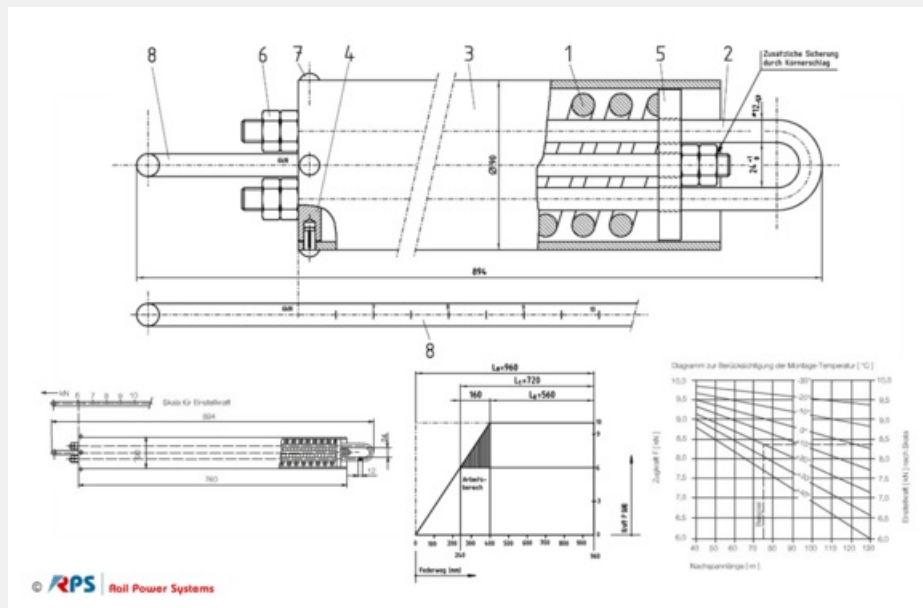


| Material-ID | Name | Weight | L | Drawing Number |
|-------------|------------------------------|--------|--------|-----------------|
| 3EGF006315 | Cross span tensioning spring | 3,6 kg | 350 mm | GVT3507378 |
| 3EGF006367 | Cross span tensioning spring | 5,7 kg | 550 mm | GVT3507668 II |
| 3EGF002272 | Cross span tensioning spring | 8,5 kg | 859 mm | 3EGF019161Z1093 |

Tension Spring 130 m

For tensioning of catenary and contact wire.

Max. span length: 130 m
6-10 kN

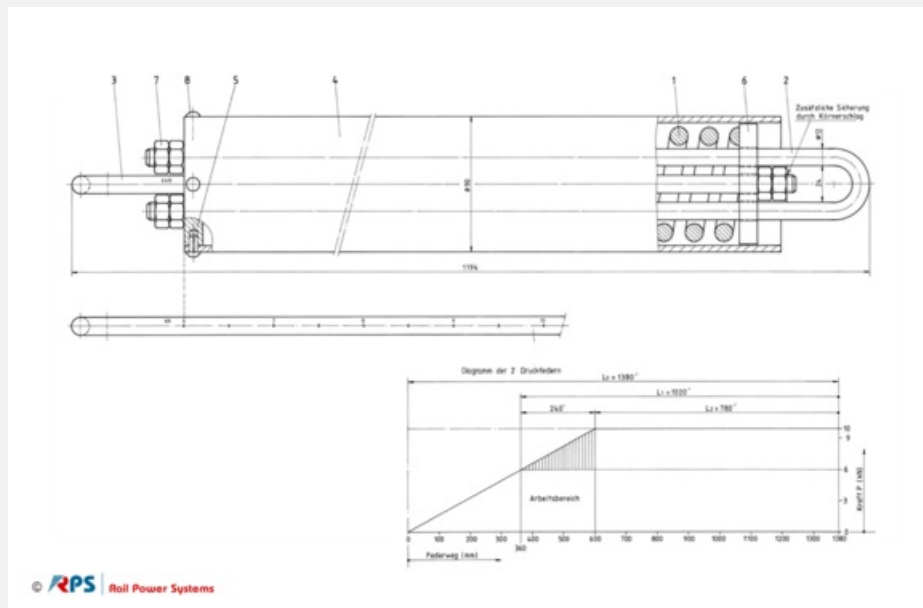


| Material-ID | Name | Weight | Drawing Number |
|-------------|-----------------------------|---------|----------------|
| 3EGF006343 | Spring tensioning mechanism | 13,0 kg | GVT3507613 |

Tension Spring 200 m

For tensioning of catenary and contact wire.

Max. span length: 200 m
6-10 kN



| Material-ID | Name | Weight | Drawing Number |
|-------------|-----------------------------|---------|----------------|
| 3EGF006356 | Srping tensioning mechanism | 17,0 kg | GVT2507642 |

