

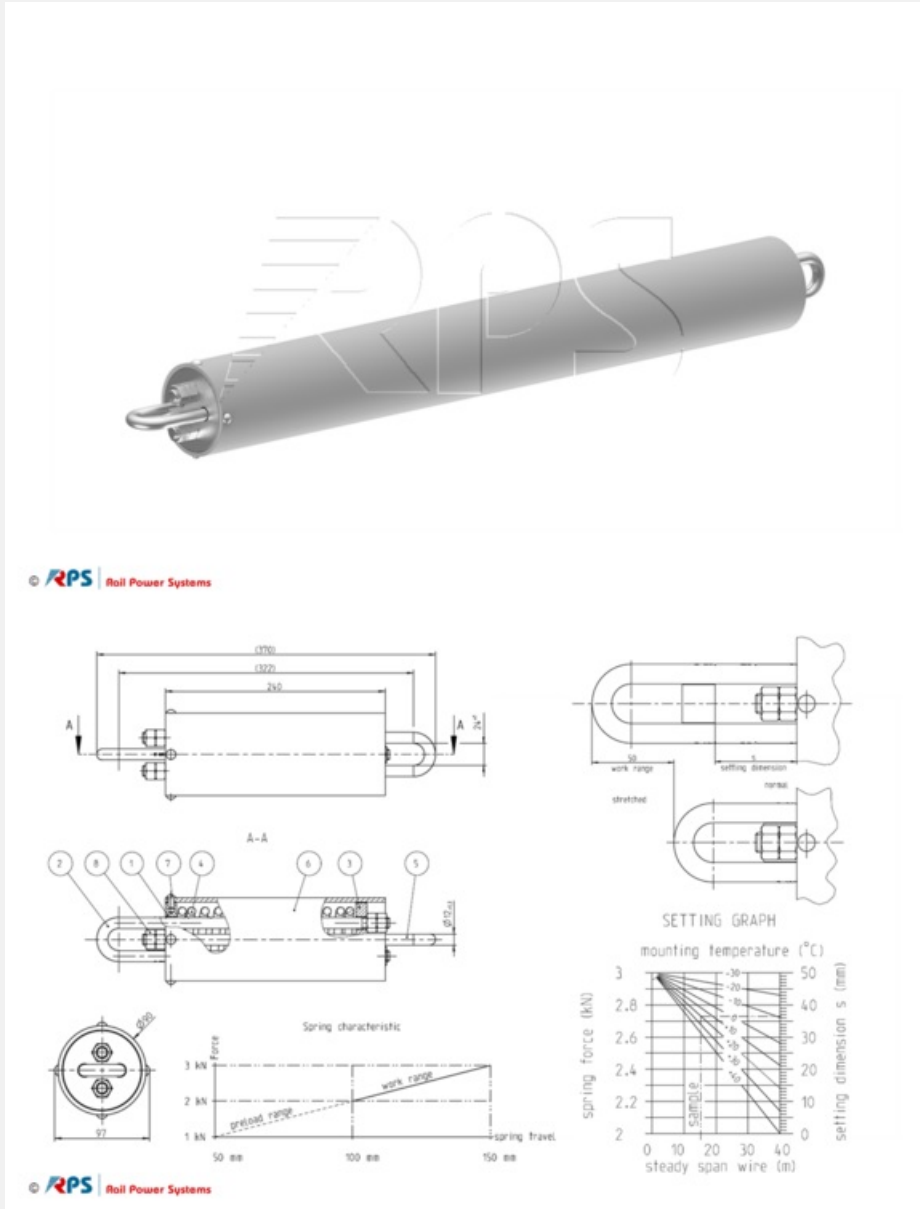
Tension springs

Spring for cross span wires

For cross span wires.

Hub / Stroke: 50 mm;

Kraft / Force: 2-3 kN



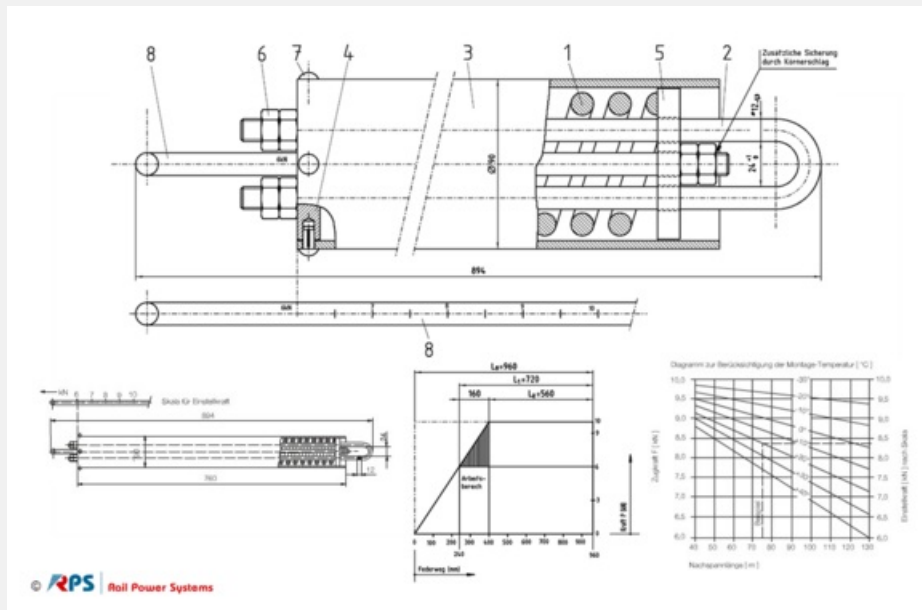
Material-ID	Name	Weight	L	Drawing Number
3EGF006315	Cross span tensioning spring	3,6 kg	350 mm	GVT3507378
3EGF006367	Cross span tensioning spring	5,7 kg	550 mm	GVT3507668 II
3EGF002272	Cross span tensioning spring	8,5 kg	859 mm	3EGF019161Z1093

Tension Spring 130 m

For tensioning of catenary and contact wire.

Max. span length: 130 m

6-10 kN



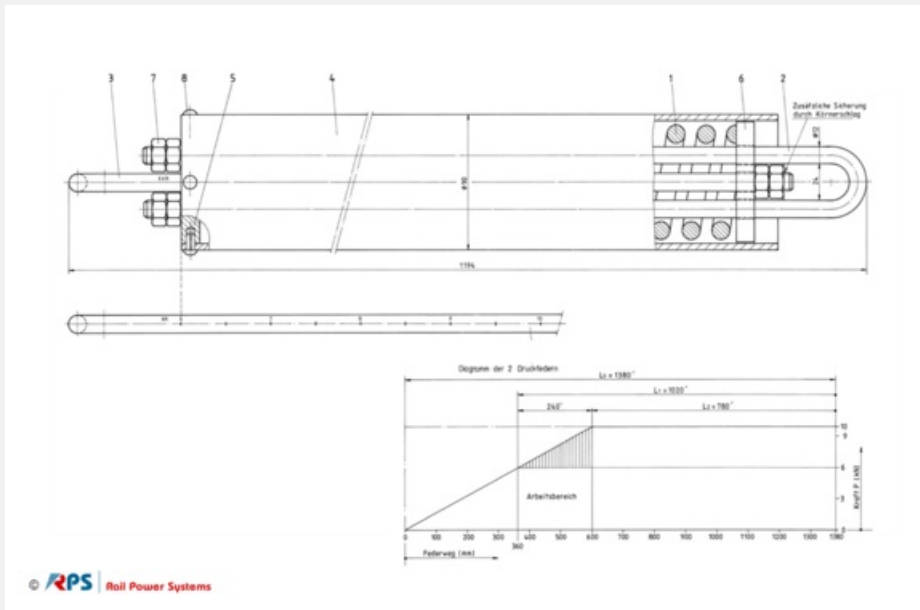
Material-ID	Name	Weight	Drawing Number
3EGF006343	Spring tensioning mechanism	13,0 kg	GVT3507613

Tension Spring 200 m

For tensioning of catenary and contact wire.

Max. span length: 200 m

6-10 kN



Material-ID	Name	Weight	Drawing Number
3EGF006356	Spring tensioning mechanism	17,0 kg	GVT2507642

