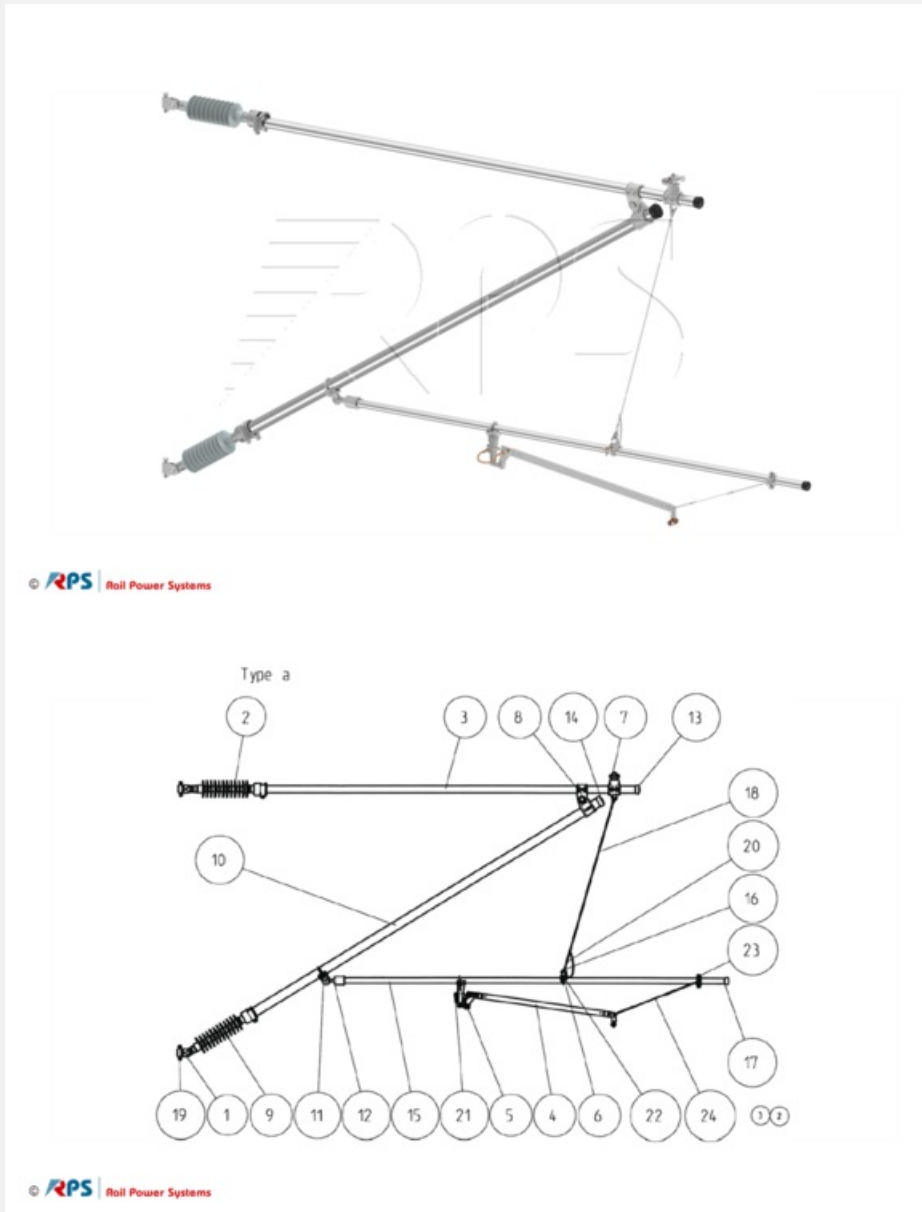


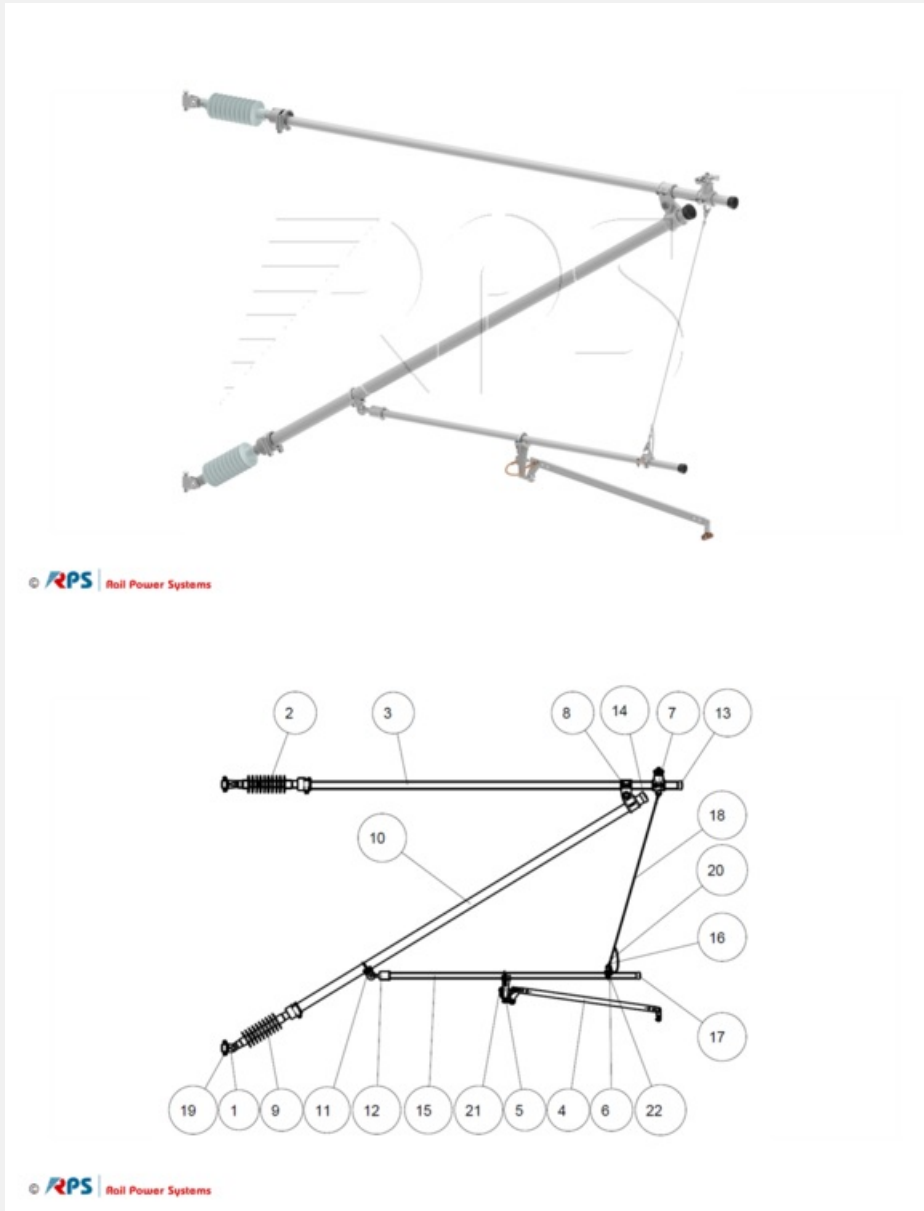
# TracFeed® ALU2000

## Cantilever, pull-off version with windstay



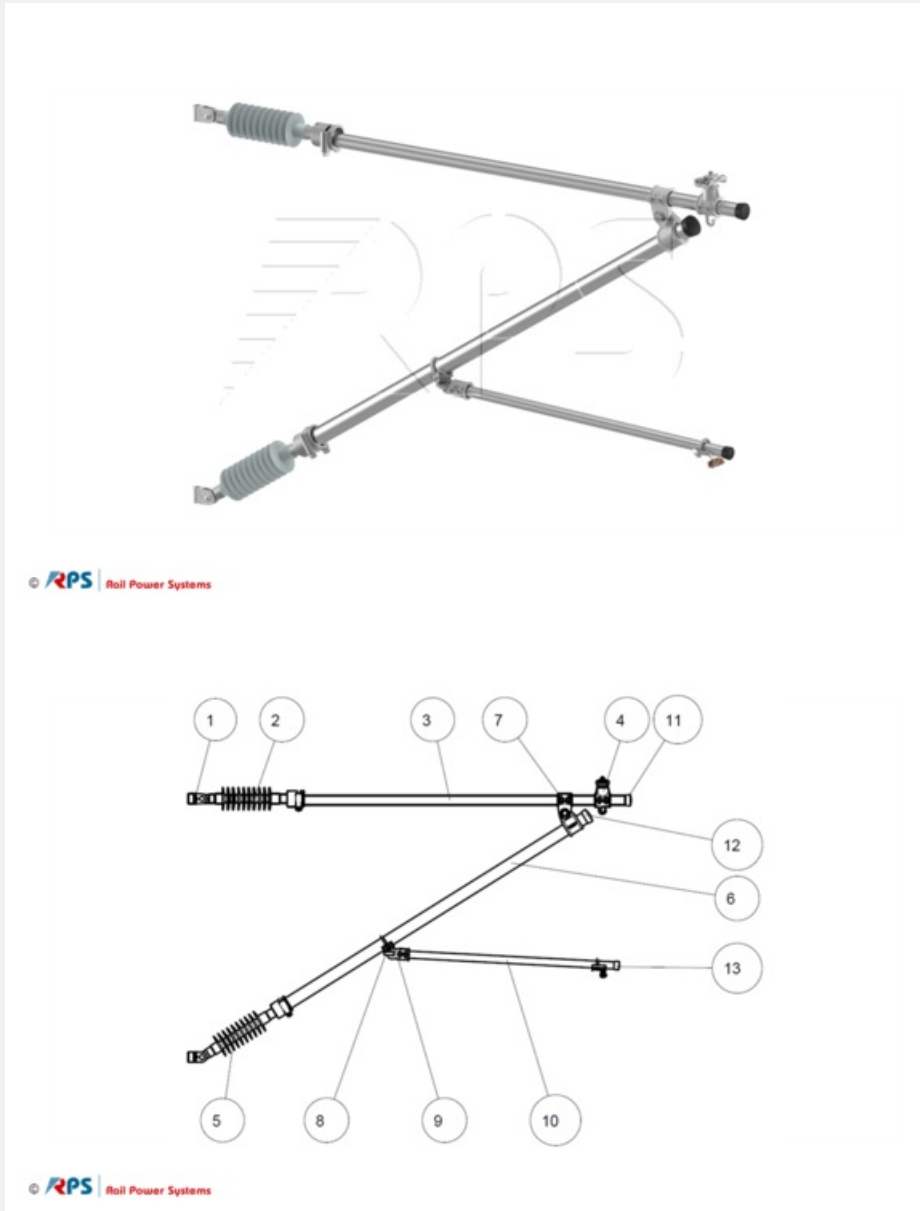
Material-ID	Name	Weight	Nominal Force	Drawing Number
3EGF017826Z1023A	Cantilever pull-off with wind stay			3EGF017826Z1023A
3EGF001345	Swivel with bolt	0,385 kg	65 kN	EBS05.96.17
3EGF019086	Insulator	6,80 kg		3EGF021882Z2123/B
3EGF004170	Tube	2,540 kg		Ebs 20.20.16
3EGF015589	Steady arm			EBS05.96.28-2 A
3EGF015479	Drop bracket			3EGF010589Z3063
3EGF015502	Hook clamp			3EGF010588Z3063 A
3EGF016034	Catenary wire swivel support clamp			3EGF012720Z3163 A
3EGF007082	Fastening	2,15 kg		GVT3516820 B
3EGF019085	Insulator	6,88 kg		3EGF026442Z3123
3EGF004171	Tube	3,256 kg		Ebs 20.20.16
3EGF001398	Eyelet clamp	0,55 kg	20 kN	Ebs 05.96.56 a
3EGF007088	Hook end fitting	0,564 kg	10 kN	GVT3516862 B
3EGF002874	End cap	0,024 kg		Ebs 20.20.08 T. 4
3EGF002875	End cap	0,038 kg		Ebs 20.20.08 T. 5
3EGF004169	Tube	1,289 kg		Ebs 20.20.16
3EGF002782	Thimble 35	0,018 kg		Ebs 20.01.11
3EGF002877	End cap	0,014 kg		Ebs 20.20.08 T. 7
3EGF002695	Rope 6 SE-bk 1570 sZ	0,15 kg		EN 12385-4
3EGF011360	Bolt with beta-type split pin			EBS20.20.09
3EGF004416	Compression splice	0,050 kg		Ebs 20.01.07 T.6
3EGF015246	Electrical connector			3EGF010594Z3063
3EGF011311	Cable lug			DIN 46235
3EGF001351	Eyelet clamp	0,27 kg	7 kN	Ebs 05.96.24 a
3EGF001458	Wind stay	0,06 kg		EBS05.98.25

## Cantilever, pull-off version without windstay



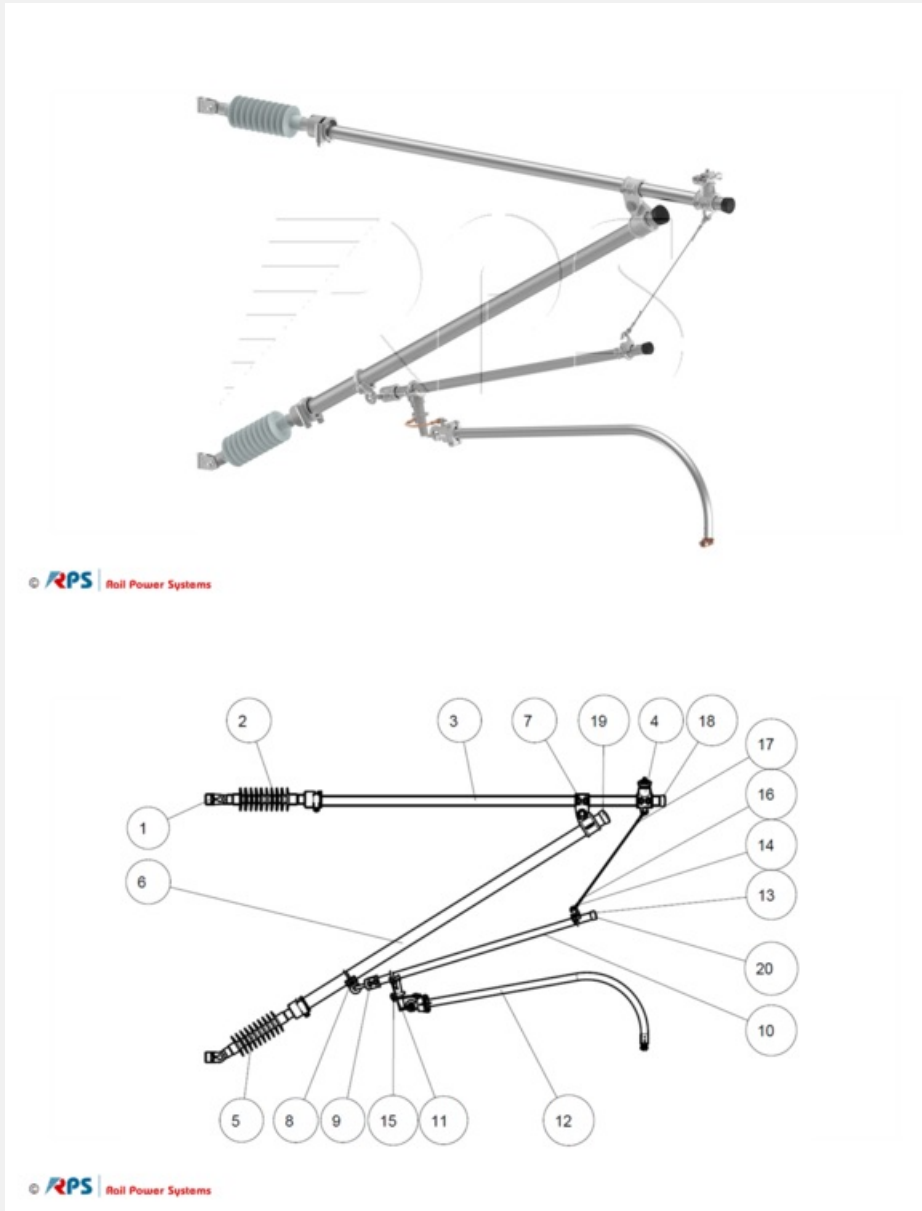
Material-ID	Name	Weight	Nominal Force	Drawing Number
3EGF017826Z1023B	Cantilever pull-off without wind stay			3EGF017826Z1023B
3EGF001345	Swivel with bolt	0,385 kg	65 kN	EBS05.96.17
3EGF019086	Insulator	6,80 kg		3EGF021882Z2123/B
3EGF004170	Tube	2,540 kg		Ebs 20.20.16
3EGF015589	Steady arm			EBS05.96.28-2 A
3EGF015479	Drop bracket			3EGF010589Z3063
3EGF015502	Hook clamp			3EGF010588Z3063 A
3EGF016034	Catenary wire swivel support clamp			3EGF012720Z3163 A
3EGF007082	Fastening	2,15 kg		GVT3516820 B
3EGF019085	Insulator	6,88 kg		3EGF026442Z3123
3EGF004171	Tube	3,256 kg		Ebs 20.20.16
3EGF001398	Eyelet clamp	0,55 kg	20 kN	Ebs 05.96.56 a
3EGF007088	Hook end fitting	0,564 kg	10 kN	GVT3516862 B
3EGF002874	End cap	0,024 kg		Ebs 20.20.08 T. 4
3EGF002875	End cap	0,038 kg		Ebs 20.20.08 T. 5
3EGF004169	Tube	1,289 kg		Ebs 20.20.16
3EGF002782	Thimble 35	0,018 kg		Ebs 20.01.11
3EGF002877	End cap	0,014 kg		Ebs 20.20.08 T. 7
3EGF002695	Rope 6 SE-bk 1570 sZ	0,15 kg		EN 12385-4
3EGF011360	Bolt with beta-type split pin			EBS20.20.09
3EGF004416	Compression splice	0,050 kg		Ebs 20.01.07 T.6
3EGF015246	Electrical connector			3EGF010594Z3063
3EGF011311	Cable lug			DIN 46235

## Cantilever lifted



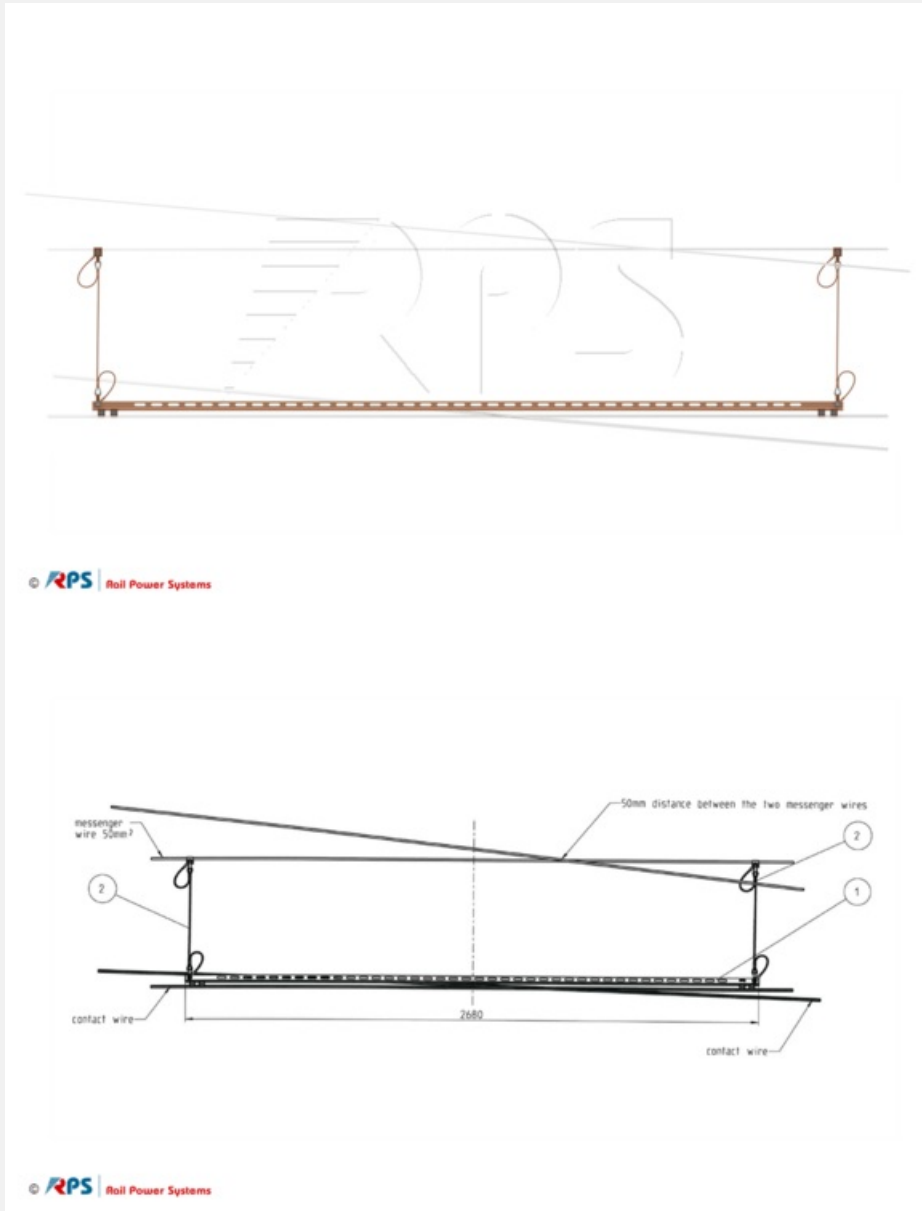
Material-ID	Name	Weight	Nominal Force	Drawing Number
3EGF025124Z1023	Cantilever lifted			3EGF025124Z1023
3EGF001345	Swivel with bolt	0,385 kg	65 kN	EBS05.96.17
3EGF019575	Insulator	6,65 kg		Ebs 13.07.31-7 A
3EGF004170	Tube	2,540 kg		Ebs 20.20.16
3EGF016034	Catenary wire swivel support clamp			3EGF012720Z3163 A
3EGF004171	Tube	3,256 kg		Ebs 20.20.16
3EGF007082	Fastening	2,15 kg		GVT3516820 B
3EGF001398	Eyelet clamp	0,55 kg	20 kN	Ebs 05.96.56 a
3EGF007088	Hook end fitting	0,564 kg	10 kN	GVT3516862 B
3EGF004169	Tube	1,289 kg		Ebs 20.20.16
3EGF002874	End cap	0,024 kg		Ebs 20.20.08 T. 4
3EGF002875	End cap	0,038 kg		Ebs 20.20.08 T. 5
3EGF002877	End cap	0,014 kg		Ebs 20.20.08 T. 7
3EGF001401	Clamp holder	0,48 kg	7,5 kN	Ebs 05.96.60 a

## Cantilever pull off, bent



Material-ID	Name	Weight	Nominal Force	Drawing Number
3EGF025094Z1023	Cantilever pull off bent			3EGF025094Z1023
3EGF001345	Swivel with bolt	0,385 kg	65 kN	EBS05.96.17
3EGF019575	Insulator	6,65 kg		Ebs 13.07.31-7 A
3EGF004170	Tube	2,540 kg		Ebs 20.20.16
3EGF016034	Catenary wire swivel support clamp			3EGF012720Z3163 A
3EGF019574	Insulator	6,72 kg		Ebs 13.07.31-7 B
3EGF004171	Tube	3,256 kg		Ebs 20.20.16
3EGF007082	Fastening	2,15 kg		GVT3516820 B
3EGF001398	Eyelet clamp	0,55 kg	20 kN	Ebs 05.96.56 a
3EGF007088	Hook end fitting	0,564 kg	10 kN	GVT3516862 B
3EGF004169	Tube	1,289 kg		Ebs 20.20.16
3EGF015479	Drop bracket			3EGF010589Z3063
3EGF019234	Steady arm	3,15 kg		Ebs 05.96.31/b
3EGF015502	Hook clamp			3EGF010588Z3063 A
3EGF002782	Thimble 35	0,018 kg		Ebs 20.01.11
3EGF015246	Electrical connector			3EGF010594Z3063
3EGF004416	Compression splice	0,050 kg		Ebs 20.01.07 T.6
3EGF002695	Rope 6 SE-bk 1570 sZ	0,15 kg		EN 12385-4
3EGF002874	End cap	0,024 kg		Ebs 20.20.08 T. 4
3EGF002875	End cap	0,038 kg		Ebs 20.20.08 T. 5
3EGF002877	End cap	0,014 kg		Ebs 20.20.08 T. 7

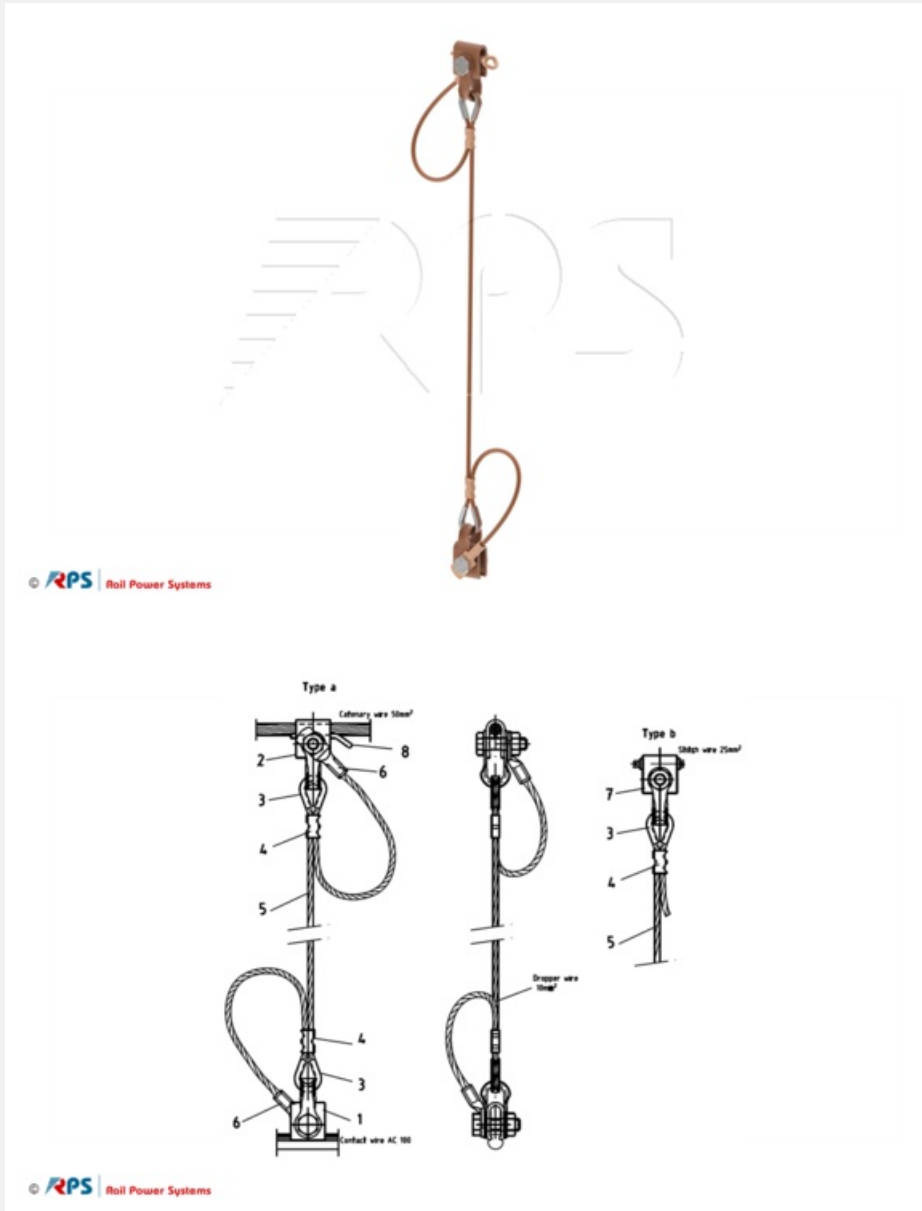
## Contact wire crossing with droppers



Material-ID	Name	Weight	Drawing Number
3EGF017819Z1153	Overhead contact line crossing		3EGF017819Z1153
3EGF014597	Overhead contact line crossing	5,000 kg	EBS07.41.10-3
3EGF020342	Dropper for crossing	0,242 kg	3EGF017821Z1153

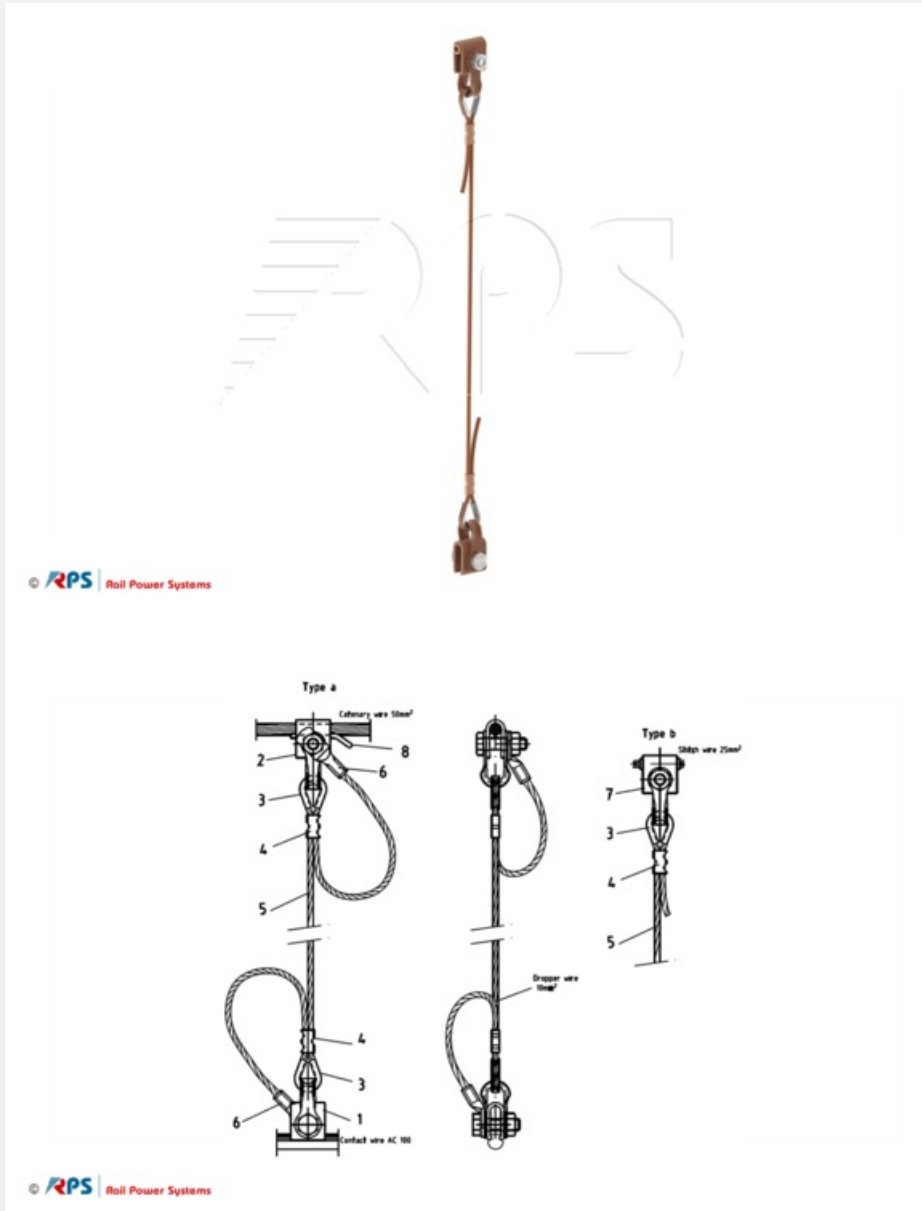


# Dropper



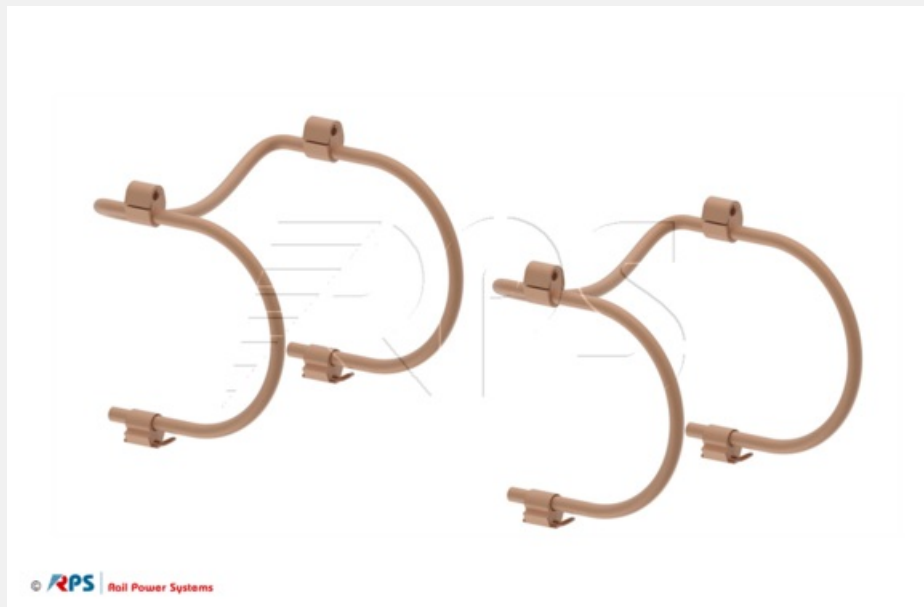
Material-ID	Name	Weight	Drawing Number
3EGF017622Z1154A	Dropper		3EGF017622Z1154A
3EGF020245	Dropper clamp		EBS07.42.12-1 B1
3EGF020245	Dropper clamp		EBS07.42.12-1 B1
3EGF010830	Thimble	0,02 kg	Ebs 20.01.11
3EGF002773	Compression splice	0,004 kg	Ebs 20.01.07 T.1
3EGF002700	Wire	0,089 kg	DIN 43 138
3EGF003343	Cable lug	0,015 kg	DIN 46235
3EGF001642	Clip	0,01 kg	Ebs 07.42.30 a1

## Dropper for stitch wire



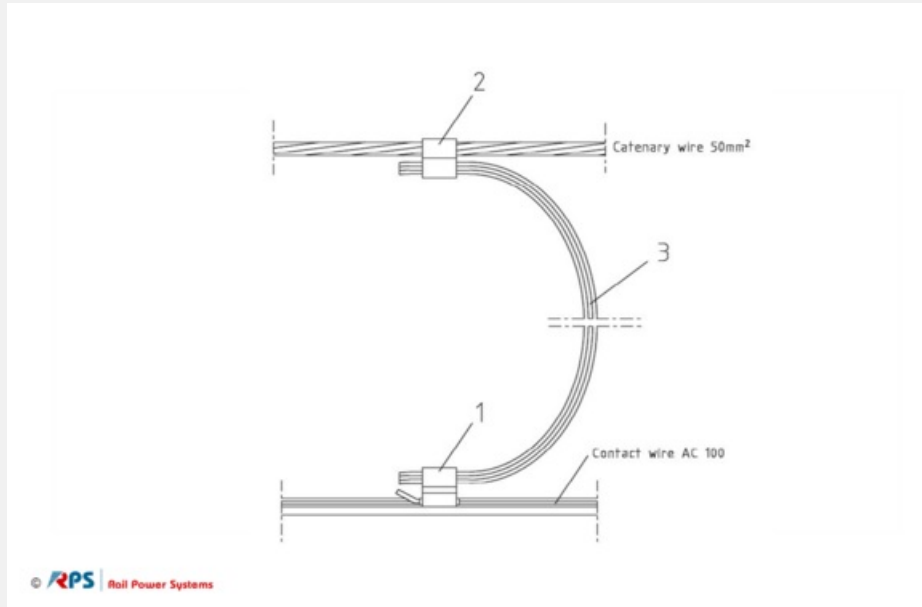
Material-ID	Name	Weight	Drawing Number
3EGF017622Z1154B	Stitch wire dropper		3EGF017622Z1154B
3EGF020245	Dropper clamp		EBS07.42.12-1 B1
3EGF010830	Thimble	0,02 kg	Ebs 20.01.11
3EGF002773	Compression splice	0,004 kg	Ebs 20.01.07 T.1
3EGF002700	Wire	0,089 kg	DIN 43 138
3EGF020315	Dropper Clip Seil35 CU		EBS07.42.31-3 B1

## Electrical connection between catenary



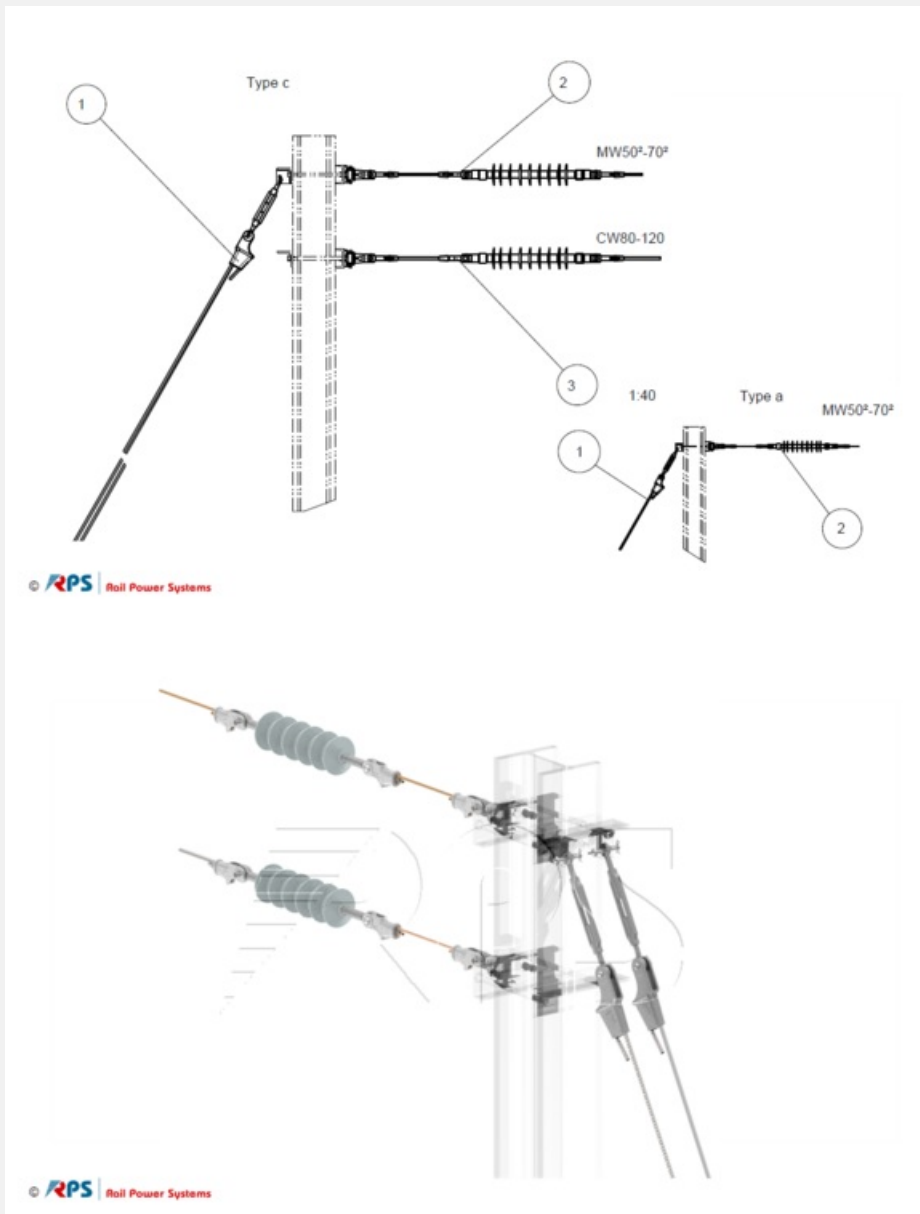
Material-ID	Name	Weight	Drawing Number
3EGF017825Z1154	Electrical connectors		3EGF017825Z1154
3EGF002204	Compression feeder clamp	0,155 kg	Ebs 10.21.11 a
3EGF002210	compression catenary wire feeder clamp	0,190 kg	Ebs 10.21.14 c
3EGF002721	Wire	0,935 kg	Ebs 20.01.01

## Electrical connection messenger wire and contact wire



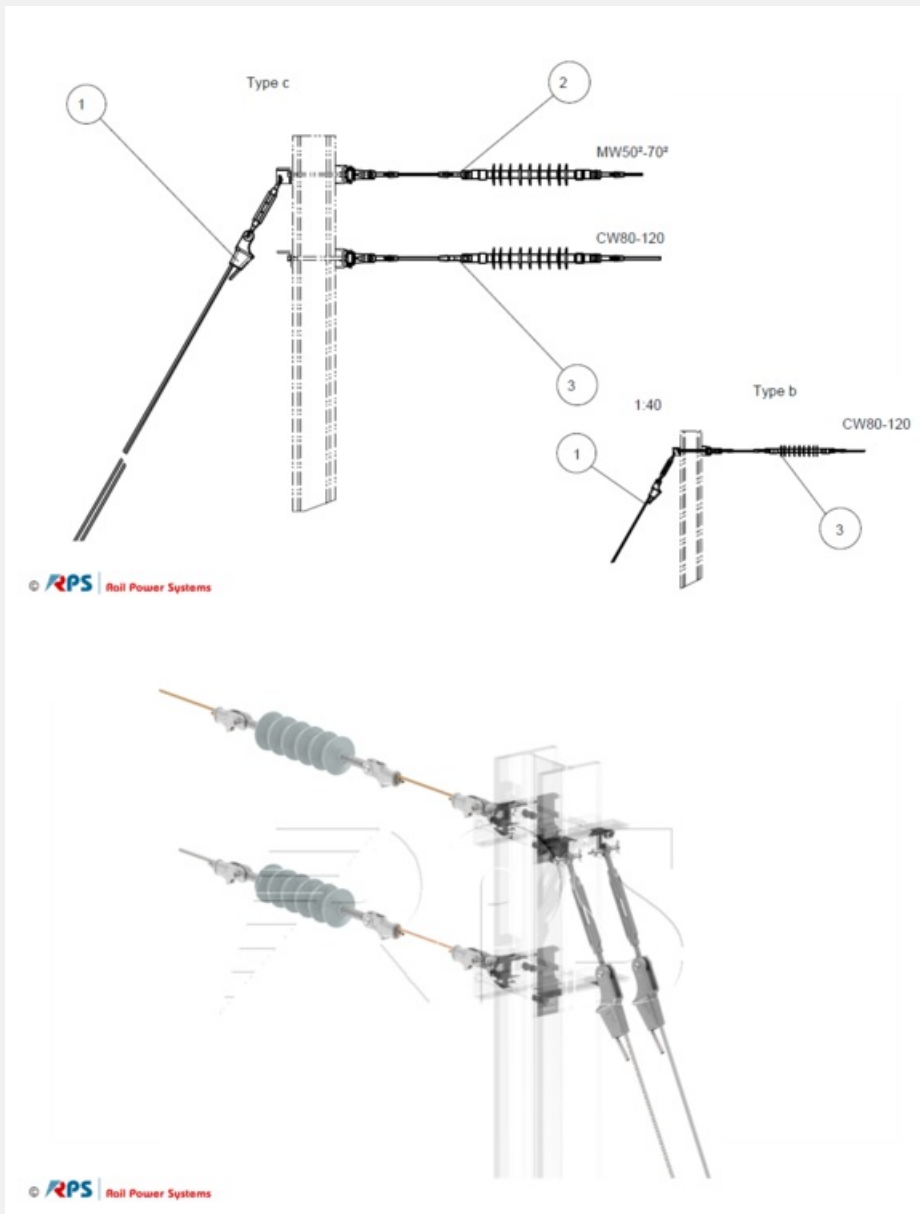
Material-ID	Name	Weight	Drawing Number
3EGF017823Z1154	Electrical connectors		3EGF017823Z1154
3EGF002204	Compression feeder clamp	0,155 kg	Ebs 10.21.11 a
3EGF002210	compression catenary wire feeder clamp	0,190 kg	Ebs 10.21.14 c
3EGF002721	Wire	0,935 kg	Ebs 20.01.01

## Fixed termination for messenger wire



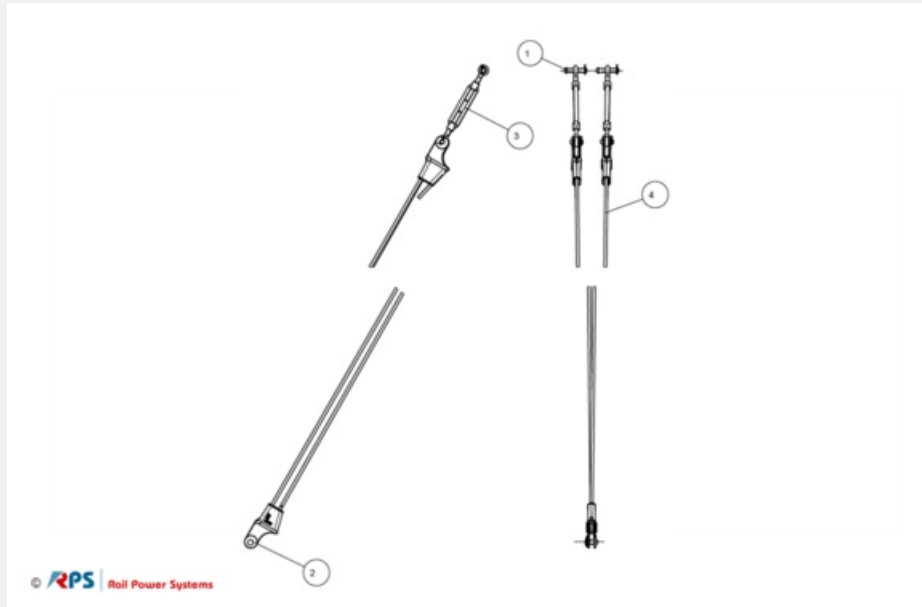
Material-ID	Name	Drawing Number
3EGF017753Z1093A	Feste Abspannung für Tragseil	3EGF017811Z1093A
3EGF017728Z1073	Backstay anchor	3EGF017728Z1073
3EGF024861Z1093	Fixed termination, wire 50²-70²	3EGF024861Z1093
3EGF024856Z1093	Fixed termination, CW80-120	3EGF024856Z1093

## Fixed termination for contact wire



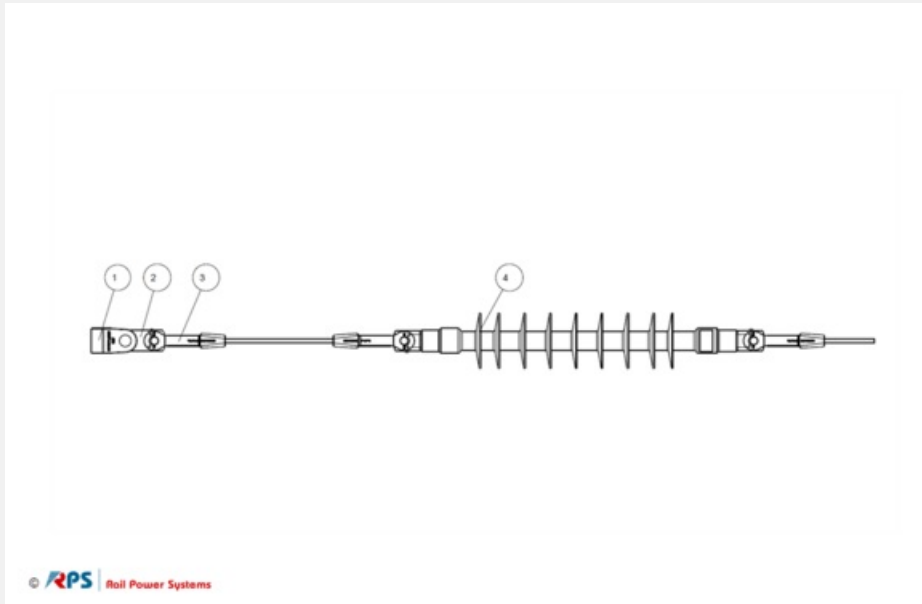
Material-ID	Name	Drawing Number
3EGF017811Z1093B	Fixed termination for contact wire	3EGF017811Z1093B
3EGF017728Z1073	Backstay anchor	3EGF017728Z1073
3EGF024861Z1093	Fixed termination, wire 50²-70²	3EGF024861Z1093
3EGF024856Z1093	Fixed termination, CW80-120	3EGF024856Z1093

## Backstay anchor



Material-ID	Name	Weight	Drawing Number
3EGF017728Z1073	Backstay anchor		3EGF017728Z1073
3EGF011360	Bolt with beta-type split pin		EBS20.20.09
3EGF002815	Wedge-type dead-end clamp	0,780 kg	Ebs 20.02.06-1
3EGF010368	Turnbuckle		3EGF010955Z3094
3EGF002732	Steel wire	0,980 kg	Ebs 20.01.02 a

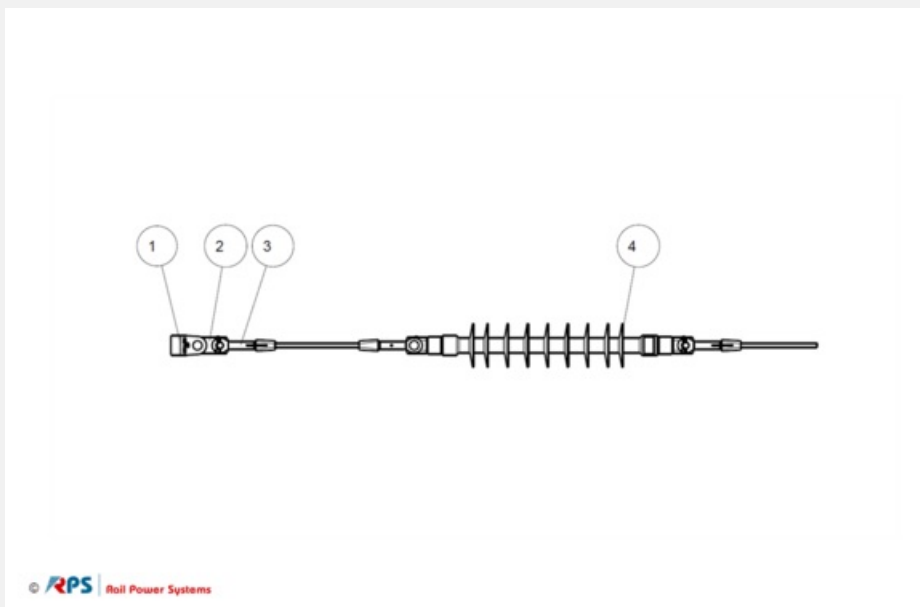
## Fixed termination, wire 50<sup>2</sup>-70<sup>2</sup>



Material-ID	Name	Weight	Nominal Force	Drawing Number
3EGF024861Z1093	Fixed termination, wire 50 <sup>2</sup> -70 <sup>2</sup>			3EGF024861Z1093
3EGF001345	Swivel with bolt	0,385 kg	65 kN	EBS05.96.17
3EGF010498	Link	0,233 kg		Ebs 20.20.15-1/b
3EGF027307Z1103	Catenary wire terminal anchor clamp	0,834 kg		3EGF027307Z1103
3EGF018326	Insulator 25 kV	4,8 kg		Ebs 13.07.14-7

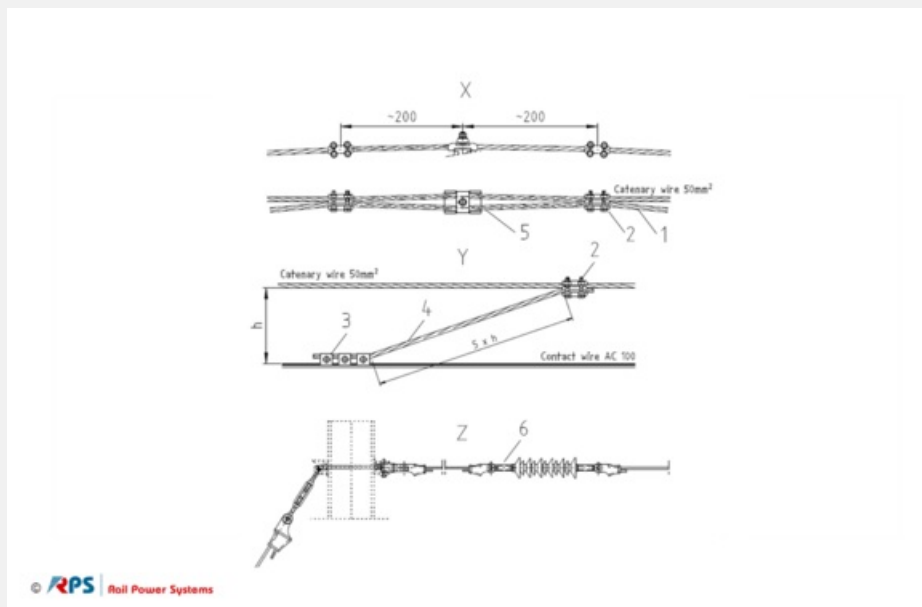


## Fixed termination, CW80-120



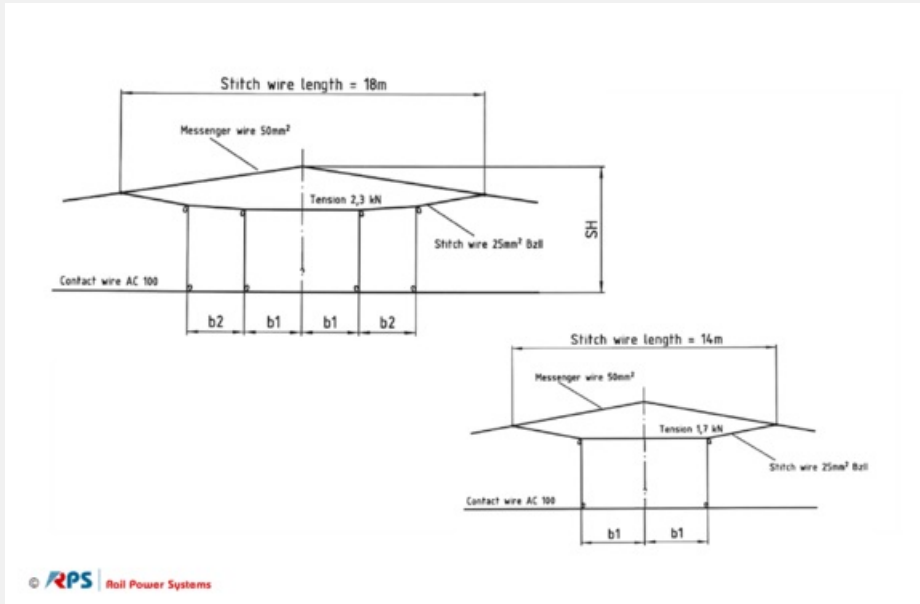
Material-ID	Name	Weight	Nominal Force	Drawing Number
3EGF024856Z1093	Fixed termination, CW80-120			3EGF024856Z1093
3EGF001345	Swivel with bolt	0,385 kg	65 kN	EBS05.96.17
3EGF010498	Link	0,233 kg		Ebs 20.20.15-1/b
3EGF027307Z1103	Catenary wire terminal anchor clamp	0,834 kg		3EGF027307Z1103
3EGF018326	Insulator 25 kV	4,8 kg		Ebs 13.07.14-7

## Mid point



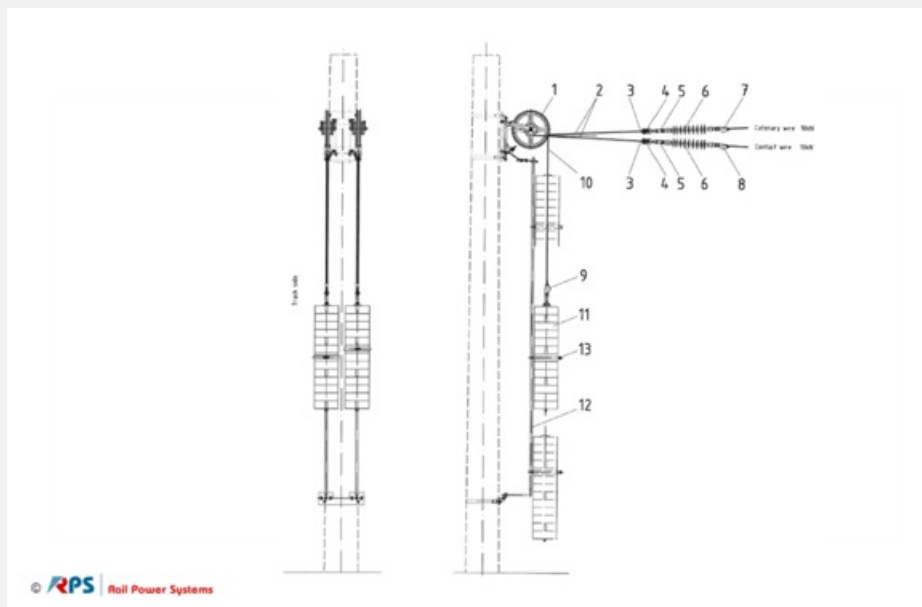
Material-ID	Name	Weight	Drawing Number
3EGF017775Z1093	Midpoint		3EGF017775Z1093
3EGF001650	Connection clamp	0,25 kg	Ebs 07.42.42-1
3EGF002798	Parallel groove clamp	0,250 kg	Ebs 20.02.01
3EGF002704	Wire	0,446 kg	Ebs 20.01.01
3EGF002704	Wire	0,446 kg	Ebs 20.01.01
3EGF016036	Bi-metal protective sleeve	0,006 kg	GVT4516566_T7
3EGF017753Z1093A	Feste Abspannung für Tragseil		3EGF017811Z1093A

## Stitch wire



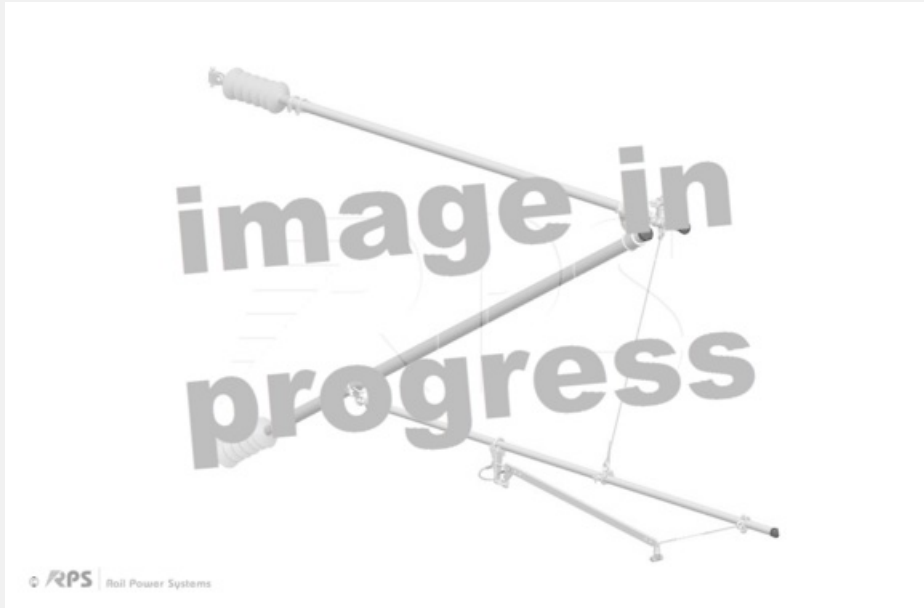
Material-ID	Name	Weight	Drawing Number
3EGF017773Z1013	Stitch wire		3EGF017773Z1013
3EGF002702	Wire	0,218 kg	Ebs 20.01.01
3EGF001651	Connection clamp	0,31 kg	EBS07.42.42-2
3EGF017622Z1154B	Stitch wire dropper		3EGF017622Z1154B

## Tension wheel assembly with 2 wheels



Material-ID	Name	Weight	Drawing Number
3EGF017817Z1093	2 Tension wheel assembly for concret mast		3EGF017817Z1093
3EGF001662	Tension wheel assembly	27 kg	3EGF011524Z2093
3EGF001724	Wire pulley	0,60 kg	Ebs 08.10.01 T. 1
3EGF001424	Anchor clevis	1,250 kg	EBS05.96.81
3EGF002889	Link plate with bolt	0,370 kg	EBS20.20.15-1 A
3EGF018326	Insulator 25 kV	4,8 kg	Ebs 13.07.14-7
3EGF010856	Wedge-type dead-end clamp	0,550 kg	Ebs 20.02.07-1B
3EGF010855	Wedge-type dead-end clamp	0,545 kg	Ebs 20.02.07-1A
3EGF002821	Wedge-type dead end clamp	0,587 kg	EBS20.02.07-1 C
3EGF002731	Wire	0,47 kg	EBS20.01.02
3EGF002731	Wire	0,47 kg	EBS20.01.02
3EGF019546	Balance weight rod/tube assembly	317,402 kg	3EGF023973Z1093/a
3EGF017753Z1093	Balance weight guide		3EGF017753Z1093
3EGF011340	balance weight guide bracket	1,845 kg	Ebs 08.10.31 g

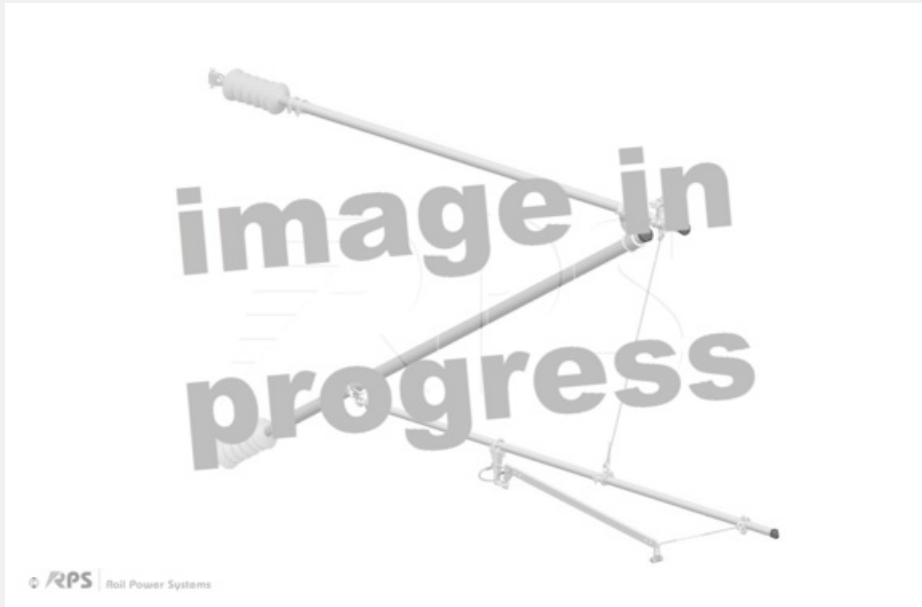
Ausleger hochgezogen



Material-ID

3EGF20200929-Test

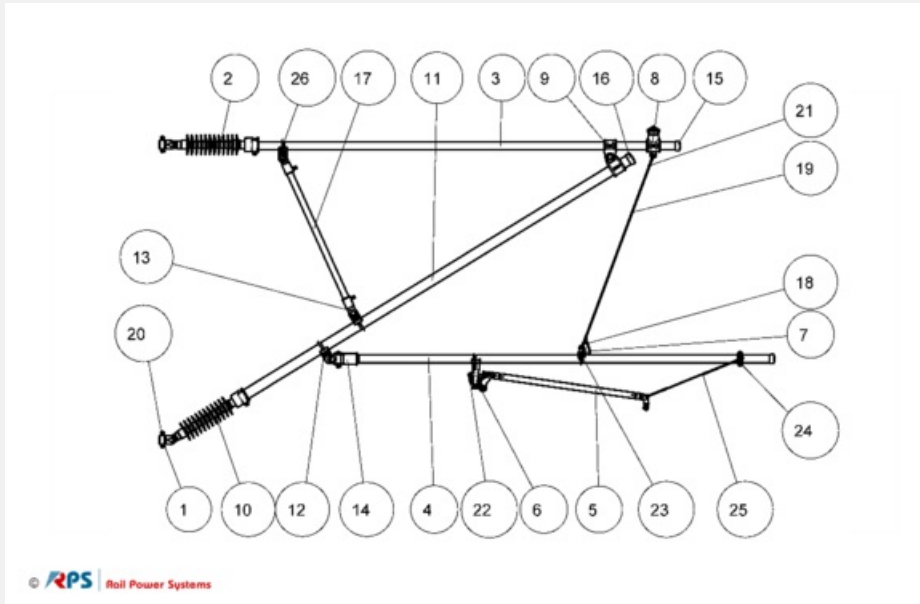
## Ausleger angelenkt, ohne Windsicherung



Material-ID

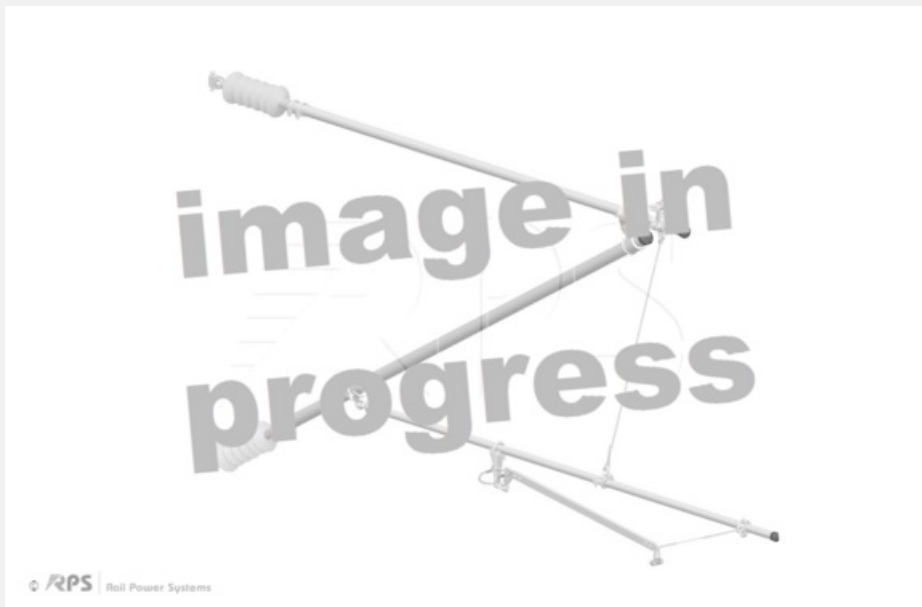
3EGF20200929-Test

## Ausleger angelenkt, mit Windsicherung



Material-ID	Name	Weight	Nominal Force
3EGF028072Z1023	Ausleger, angelenkt, mit Windsicherung		
3EGF001458_	Wind stay	0,06 kg	
3EGF012296	Eye clamp	0,70 kg	
3EGF001352	Ösenschelle	0,29 kg	7 kN
3EGF011311	Cable lug		
3EGF015246	Electrical connector		
3EGF004416	Compression splice	0,050 kg	
3EGF011360	Bolt with beta-type split pin		
3EGF002695	Rope 6 SE-bk 1570 sZ	0,15 kg	
3EGF002782	Thimble 35	0,018 kg	
3EGF004169	Tube	1,289 kg	
3EGF002875	End cap	0,038 kg	
3EGF002874	End cap	0,024 kg	
3EGF001350	Hinge joint	0,665 kg	10 kN
3EGF015485	Gelenkstück	0,413 kg	
3EGF001344		0,79 kg	12 kN
3EGF004171	Tube	3,256 kg	
3EGF019085	Insulator	6,88 kg	
3EGF007082	Fastening	2,15 kg	
3EGF014544	Tragseilklemme	1,516 kg	
3EGF015479	Drop bracket		
3EGF015589	Steady arm		
3EGF004170	Tube	2,540 kg	
3EGF004170	Tube	2,540 kg	
3EGF019086	Insulator	6,80 kg	
3EGF001345	Swivel with bolt	0,385 kg	65 kN

## Ausleger angelenkt, gebogen



Material-ID

3EGF20200929-Test



