

## Installation tools

### Electrohydraulic high-pressure pump EHP (850 bar)

Working pressure: 850 bar

Power supply lead length: 5 m

Power input electric driving motor: 500 W at 220 V AC

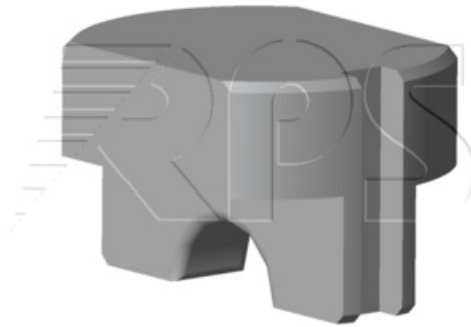
Workbench inserts of case-hardening steel burnished. The high-pressure pump is installed in a handy carrying case and suitable for construction site use. The double hose system that has proven effective in practice, feed and return, with control valve and coupling bush without any loss of oil for the connection of a compression head completes the unit. A pressure relief valve protects the high-pressure pump against overload.



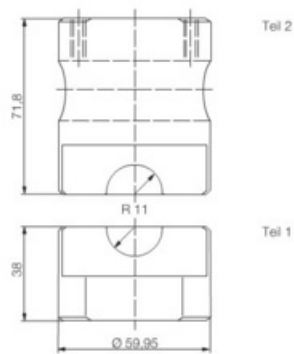
Material-ID	Build Type	Weight	Drawing Number
3EGF011775	Hochdruckschlauchlänge: 3000 mm	9,1 kg	305853012
3EGF011776	Hochdruckschlauchlänge: 4000 mm	9,6 kg	305853013

## Workbench insert for electrohydraulic high-pressure pump EHP (850 bar)

for pressing the compression clamp Z 11, for Re 330; depth of hardening 0.5 mm; burnished



© RPS Rail Power Systems



© RPS Rail Power Systems

Material-ID	Name	Weight	Drawing Number
3EGF008020	Werkzeug-Einsatz	0,414 kg	GW854.43 BL1.1
3EGF008021	Werkzeug-Einsatz	0,828 kg	GW854.43 BL1.2

## Hydraulic press head (850 bar, size III)

with coupler plug without any oil loss, with hose connection. Accessories with high-pressure coupler, coupler plug and coupling bush.



Material-ID	Drawing Number
3EGF011848	305678009

## Hand pressing pliers Primat O2

Pressable cross-sections in mm<sup>2</sup> : , copper 6 - 35, aluminium 16 - 50, tool inserts for pressing crimp sleeves and crimp cable lugs for current-carrying dropper connections 10 mm<sup>2</sup> Bz flex.



Material-ID	Drawing Number
3EGF007848	303088088

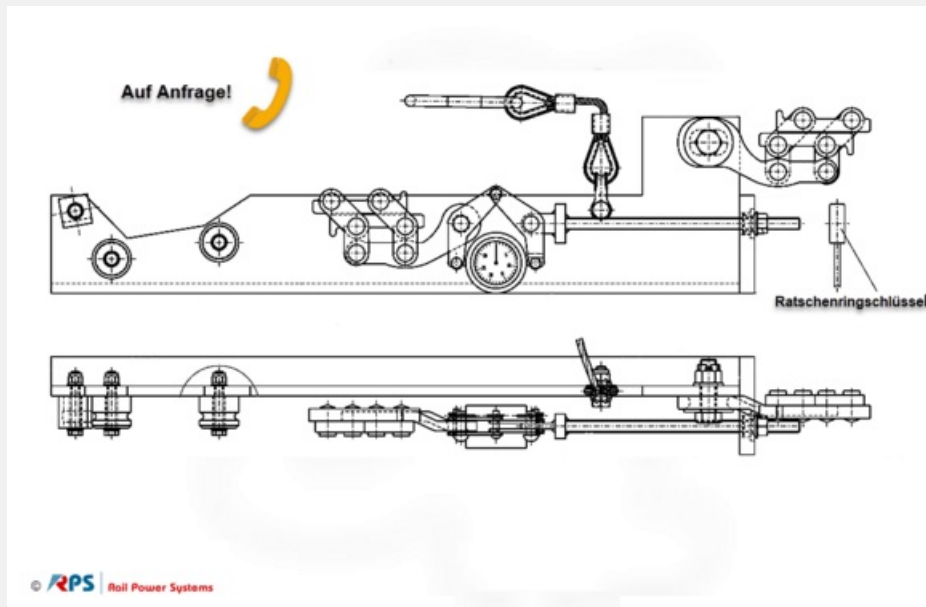
## Manual compression tool Primat O6

Pressable cross-sections in mm<sup>2</sup> for strain-relieved connections: copper 6 - 185, aluminium 16 - 150,  
for tension-proof connections: copper 6 - 150, aluminium 16 - 120, aluminium/steel 25/4 - 120/20



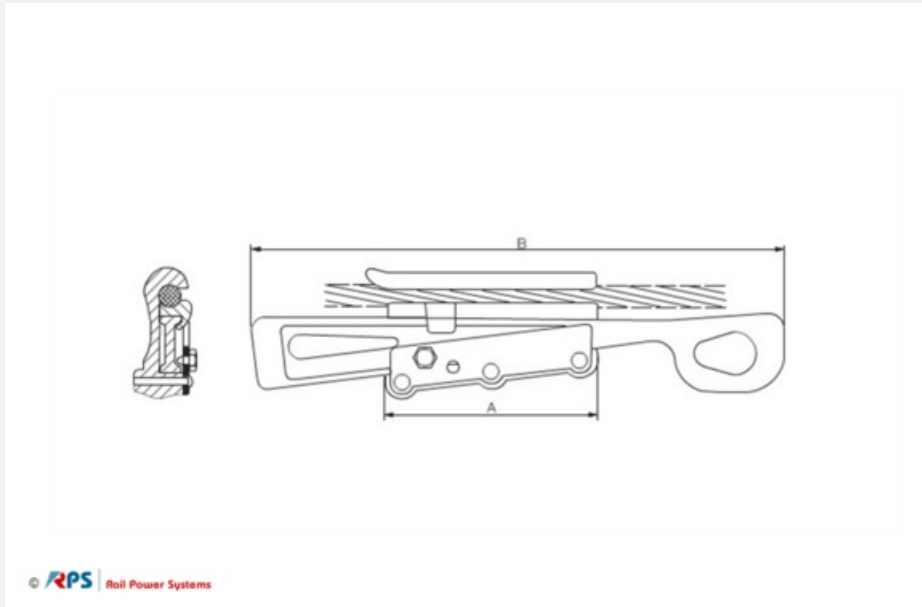
Material-ID	Drawing Number	Weight
3EGF010399	303871002	3,10 kg

## Wire tensioning device for installation of a stitch wire



Material-ID	Name	Build Type	Drawing Number
3EGF014654	Wire tensioning device	a) with ratchet wrench	3EGF009563Z2272
3EGF014655	Wire tensioning device	b) without ratchet wrench	3EGF009563Z2272

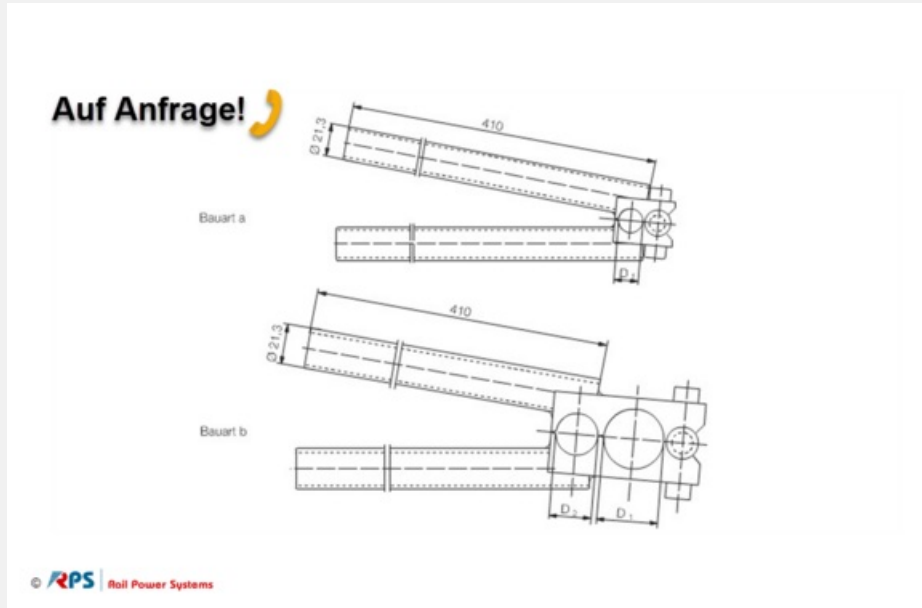
## Wedge tensioning tool



Material-ID	Build Type	Weight	A	B	Rope Diameter	Nominal Force	Drawing Number
3EGF009945	Größe 1	1,220 kg	110 mm	276 mm	5,0 - 10,0 mm	10 kN	92561
3EGF010002	Größe 2	2,504 kg	160 mm	365 mm	10,5 - 14,0 mm	20 kN	92562
3EGF004430	Größe 3	5,184 kg	220 mm	498 mm	15,0 - 21,0 mm	30 kN	92563

## Bend pliers

for protective sleeves with outer diameter D (see table).

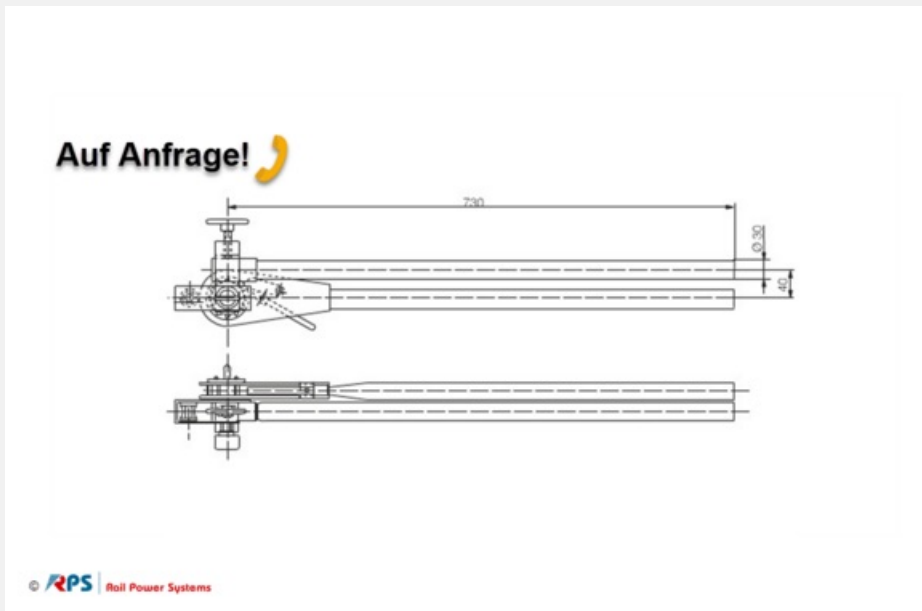


Material-ID	Build Type	Diameter	D2	Weight	Drawing Number
3EGF004378	a	13,5 mm		1,50 kg	GW 89204 Bl. 11
3EGF005639	a	18,5 mm		1,50 kg	GVT 3500087
3EGF008976	b	16,5 mm	14,5 mm	1,55 kg	GVT 3500086
3EGF011754	b	32,0 mm	22,0 mm	2,15 kg	GVT 3500101



## Bending device

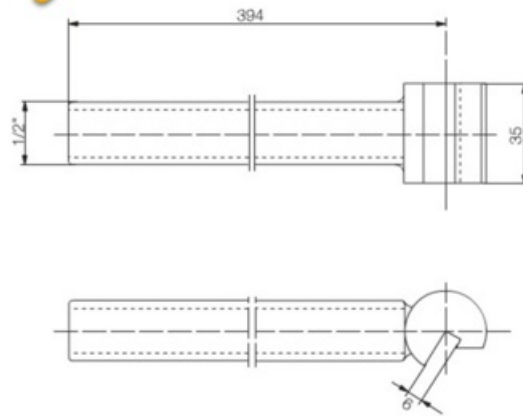
for contact wires Ri 80, 100, 120 and RiS 120 with ratchet



Material-ID	Weight	Drawing Number
3EGF009944	6,0 kg	GW89204 BL6

## Moving iron for grooved contact wires

Auf Anfrage! 📞

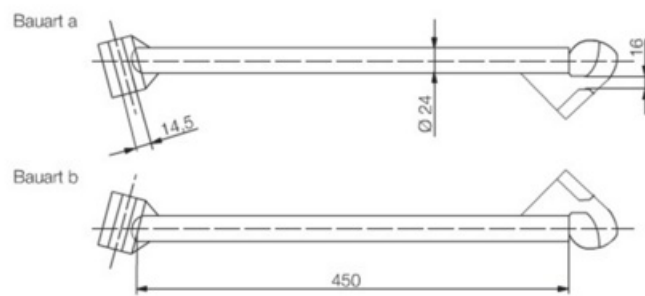


© RPS Rail Power Systems

Material-ID	Weight	Drawing Number
3EGF004341	0,50 kg	4 Ebgw 04.11

## Bending clevis for ground wires, usage in pairs

Auf Anfrage! 📞



© RPS Rail Power Systems

Material-ID	Build Type	Weight	Drawing Number
3EGF004340	a) left	0,55 kg	Gw 892.19. Bl. 4
3EGF007836	b) right	0,55 kg	Gw 892.14. Bl. 4

## Bending device with open-jawed wrench, for ground wires

Wrench size: 32 / 36 mm

**Auf Anfrage!** 📞

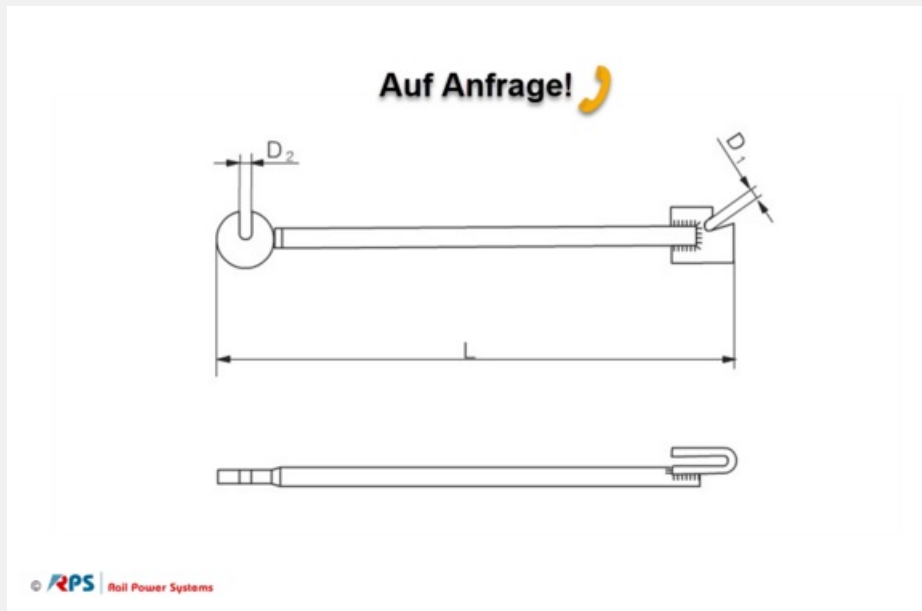


© RPS Rail Power Systems

Material-ID	Weight	Drawing Number
3EGF011755	3,5 kg	Gw 892.19. Bl. 2

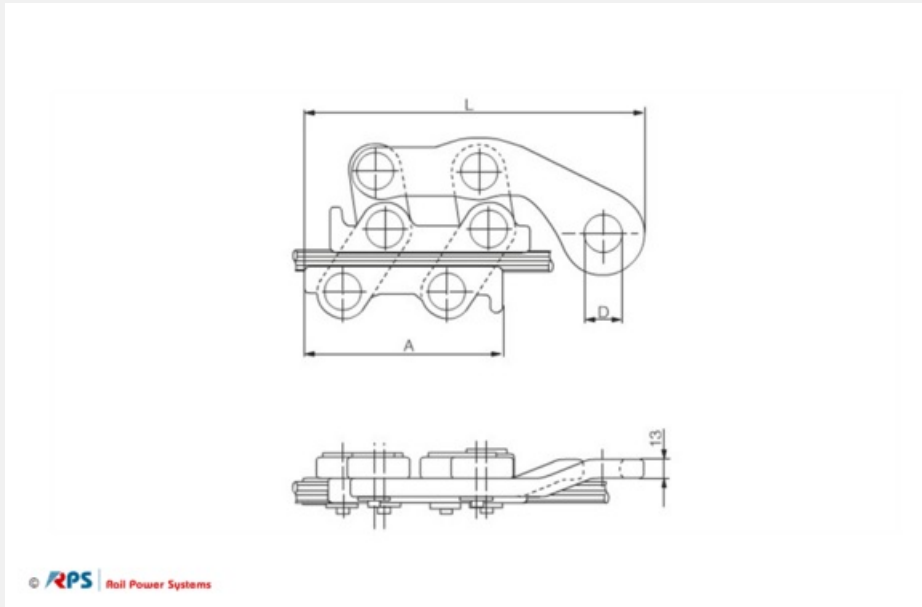
## Bending and twist iron

Bire bending tool



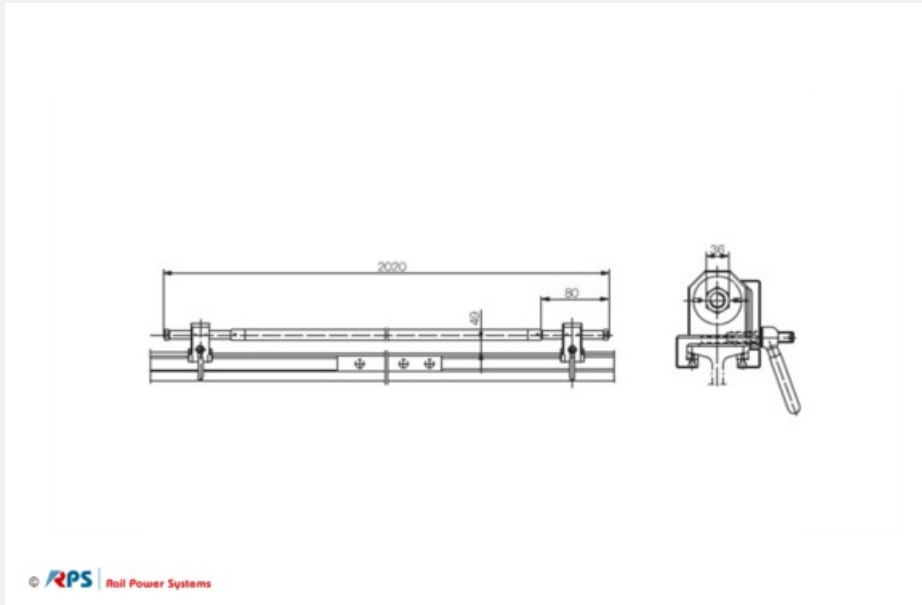
Material-ID	Weight	L	D2	Diameter	Rope Diameter	Drawing Number
3EGF010227	0,50 kg	373 mm	7 mm	7 mm	6 mm	MV1877047 I
3EGF010228	0,50 kg	373 mm	9 mm	9 mm	8 mm	MV1877047 II

## Span clamp



Material-ID	Build Type	Weight	A	L	Diameter	Rope Q	Drawing Number
3EGF004425	Zugkraft: 10 kN	0,83 kg	80 mm	155 mm	18 mm	6 - 35 mm <sup>2</sup>	330736736
3EGF004426	Zugkraft: 17 kN	1,00 kg	97 mm	175 mm	18 mm	16 - 70 mm <sup>2</sup>	330737737
3EGF009710	Zugkraft: 25 kN	1,80 kg	113 mm	230 mm	30 x 39 * mm	50 - 150 mm <sup>2</sup>	330738738

## Adjusting spindle for expansion joint



Material-ID

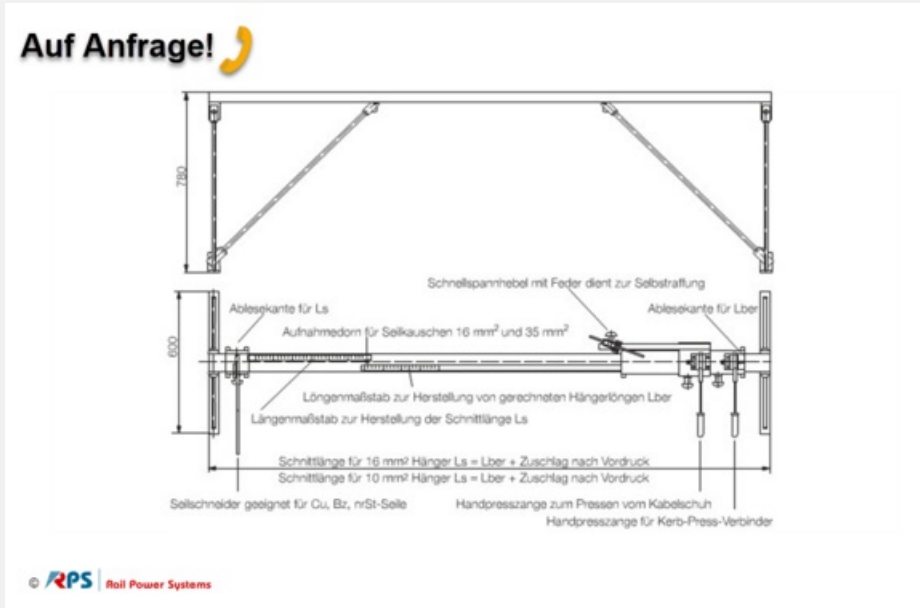
3EGF011618

Drawing Number

6900-102.358555-2

## Dropper assembling Workbench

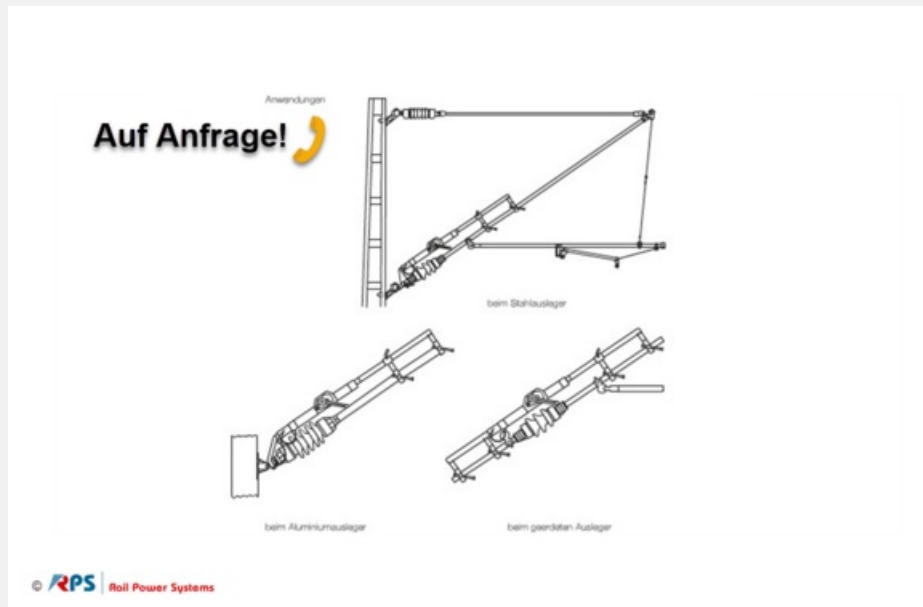
up to 2.38 m dropper length, for pressing crimp connector and cable lug.



Material-ID	Build Type	Weight	Drawing Number
3EGF012048	Compression die for 10 mm <sup>2</sup> wire	55,0 kg	3EGF001143Z2271 A
3EGF005645	Compression die for 16 mm <sup>2</sup> wire	55,0 kg	3EGF001143Z2271 B



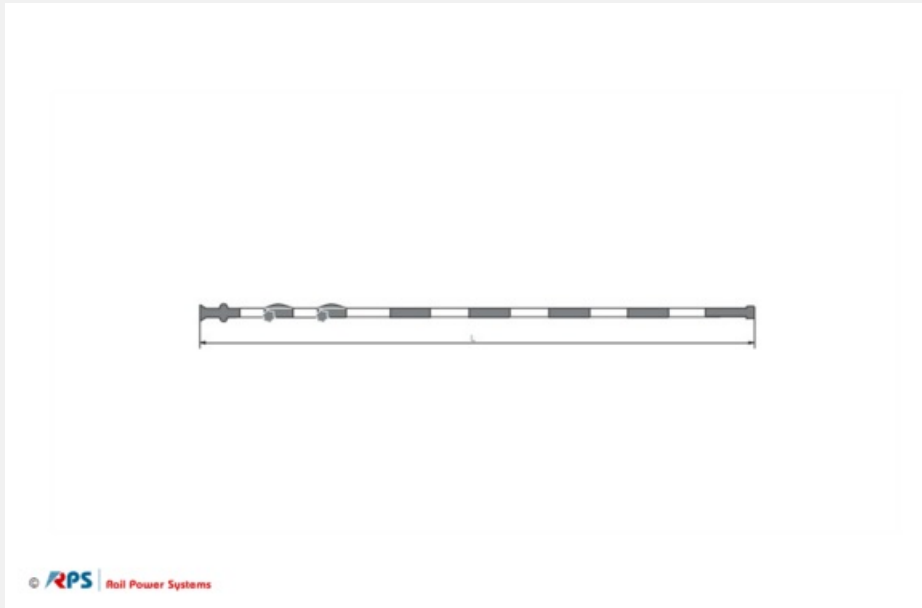
## Device for replacing insulator at cantilever



Material-ID	Build Type	Drawing Number
3EGF009946	for cantilevers up to Re 200	3Ebgw 04.88
3EGF010282	for cantilever Re 250 up to Re 330	3Ebgw 04.88

## Telescopic ground rod in three parts

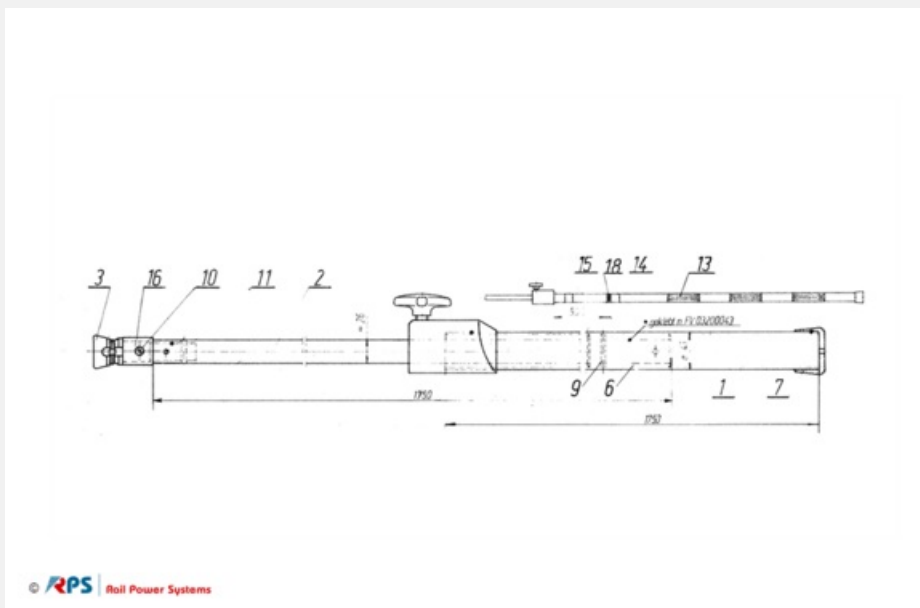
with automatic locking head



Material-ID	Weight	L	Drawing Number
3EGF011828	5,2 kg	2000 - 5080 mm	Gw 715.01. Bl. 41
3EGF011829	5,2 kg	3200 - 7000 mm	Gw 715.01. Bl. 41

## Telescopic ground rod

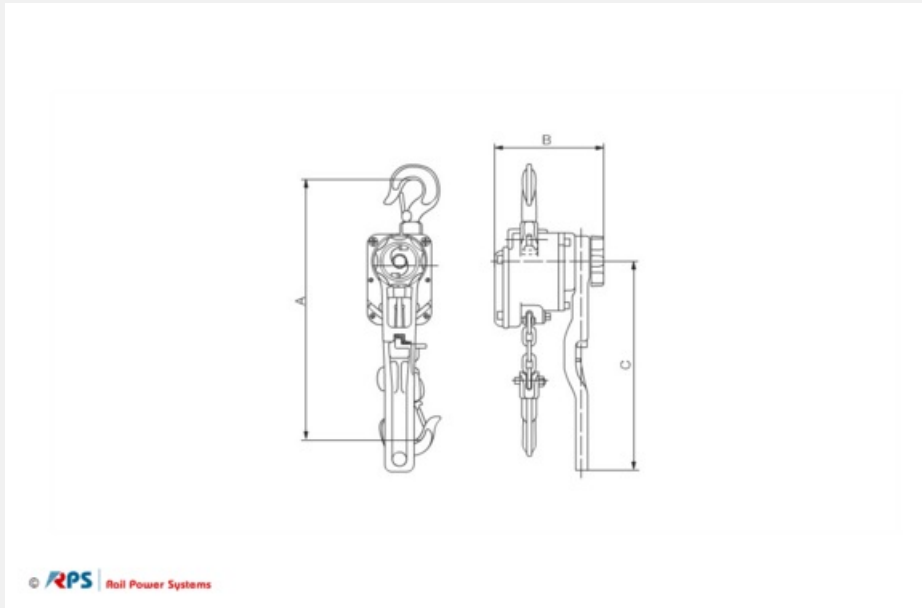
2-section, with automatic locking head for feeder and traction current line



Material-ID	Name	Weight	L	Drawing Number
3EGF011826	Erdungsstange	3,8 kg	1800 - 3500 mm	Gg 715.01 Bl.4.1
3EGF011827	Erdungsstange	3,8 kg	2600 - 5000 mm	Gg 715.01 Bl.4.1

## Hoisting tackle (1,5 m) with round steel chain

with steel or aluminium housing

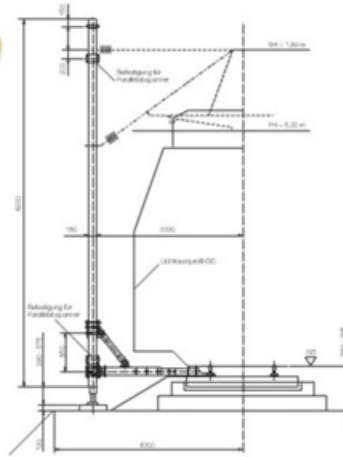


Material-ID	Weight	A	B	C	Nominal Force	Drawing Number
3EGF009943	6,2 kg	280 mm	153 mm	265 mm	7,5 kN	53/03-800 HADEF
3EGF007993	9,6 kg	350 mm	170 mm	415 mm	15,0 kN	53/03-1600 HADEF
3EGF009942	16,5 kg	420 mm	200 mm	415 mm	30,0 kN	53/03-3200 HADEF

## Mounting device

## Auxiliary mast for slap track

Auf Anfrage!



© RPS Rail Power Systems

Material-ID

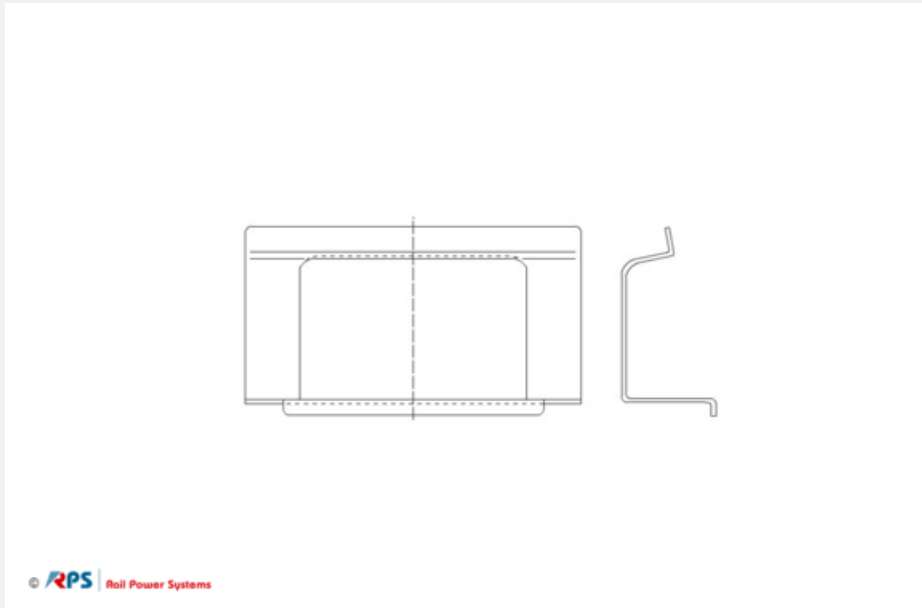
Drawing Number

3EGF012529

Ebs 04.04.30

## Cutout template

for the opening for the conductor rail protective cover on the support



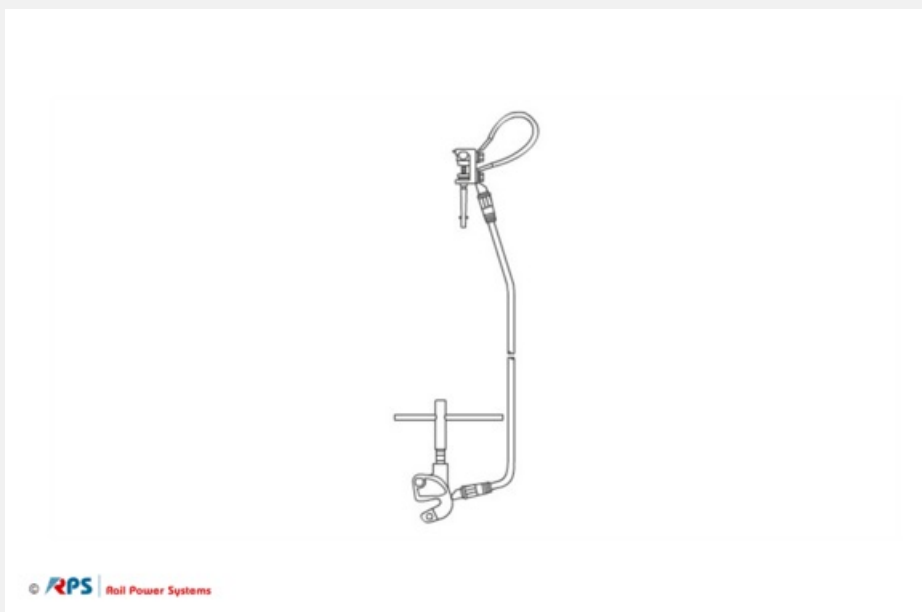
Material-ID	Build Type	Drawing Number
3EGF010483	for glass fibre reinforced conductor rail support	3EGF000092Z6392

## Grounding device for no-profile grounding of contact lines of electric trains

for grooved contact wires Ri 80 - 120, round contact wires of  $\varnothing$  10.6 - 13.2 mm, for rail profiles S 49, S 54, S 64 and UIC 60.

Short circuit current: 35,6 kA

Rope length: 12 m



Material-ID	Weight	Rope Q	Drawing Number
3EGF011111	12,45 kg	50 mm <sup>2</sup>	364845002



## Grounding device for feeder and traction current line

for conductor of  $\varnothing$  4.5-35 mm, with ground wire, conductor and universal clamp, for connection to ball pin  $\varnothing$  25 mm, with ground rod 3EGF011826.

Short circuit current: 36,5 kA



Material-ID	Build Type	Weight	Rope Q	Drawing Number
3EGF011824	Rope lenght: 4 m	10,5 kg	50 mm <sup>2</sup>	Gw 715.01. Bl. 19

# Testing and measuring equipment

## Catenary Measuring Device FM4-LO

Contains: Measuring bar for lateral position measurement, Measuring instrument, Transport case incl. equipment  
Laser class (International standard IEC60825-1): 2

Available in "basic" and "standard" design.



Material-ID	Weight	A	B	C
3EGF018425	2,2 kg	258 mm	108 mm	101 mm

## Catenary Measuring Device FM5-BT

Contains: Measuring bar with laser beam reflector, Measuring instrument, Application software  
Laser class (International standard IEC60825-1): 2

Available in "basic" and "capture" design.



Material-ID	Weight	A	B	C
3EGF000000	2,0 kg	263 mm	95 mm	60 mm

## Electric high-voltage tester KP test II E

For interior switchgear

Frequency: 16,7 Hz

Bag included



Material-ID	Drawing Number	Rated impulse withstand voltage
3EGF011882	Gg 715.01. Bl. 9	15 kV

## Rail length measuring wheel

For length measurements of rail sections

Measuring range: up to 10,000 m

Measuring tolerance: 0.02%



Material-ID	Name	Build Type	Weight	Drawing Number
3EGF009926	Schienen-Längenmessrad	Rail length measuring wheel	5,5 kg	90178090

## Telescopic height measuring rod with support rail and carrying case

For measuring spacing of live overhead contact lines components

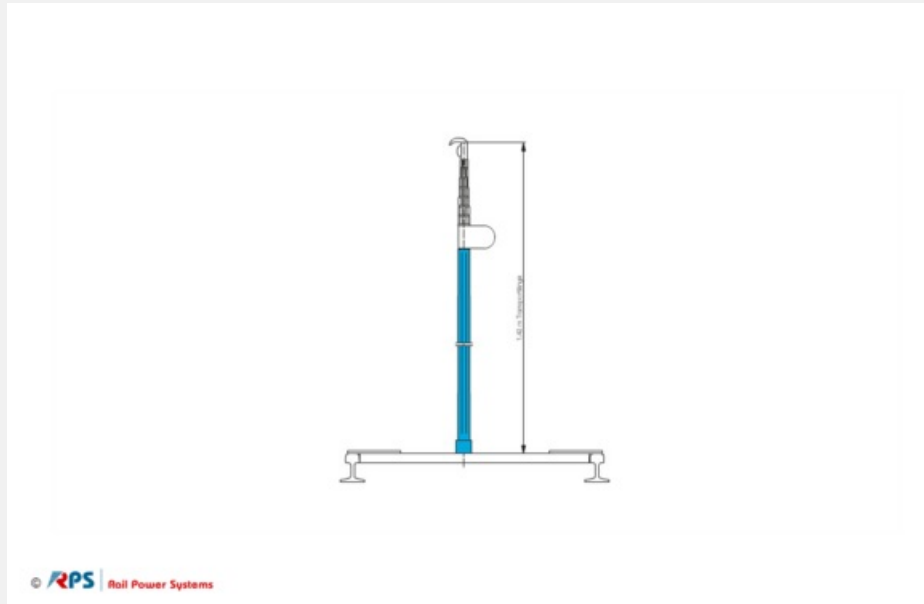
For rated voltages up to 30 kV AC; 16,7 Hz and up to 3 kV DC

Use in precipitation and fog

CE mark

Support rail and carrying case included

Old ID: 3EGF011978

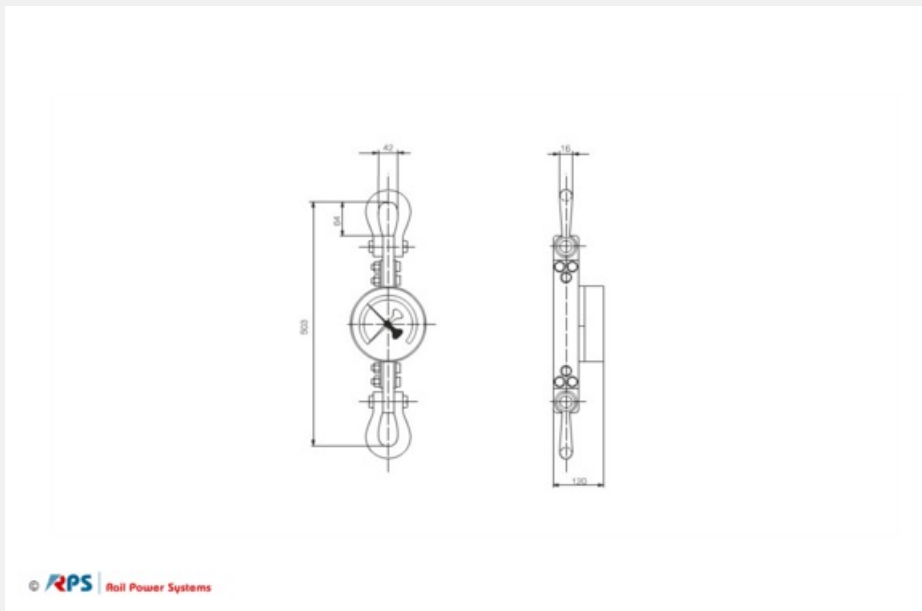


Material-ID	Name	Weight	Height	Rated impulse withstand voltage
3EGF008854	Höhenmessstange	4,54 kg	142 - 800 mm	30 kV AC / 3 kV DC kV

## Dynamometer with analog display

For measuring the maximum tensile force with slave pointer.

Measurement range: 0-15 kN.



Material-ID	Weight
3EGF010371	5,50 kg

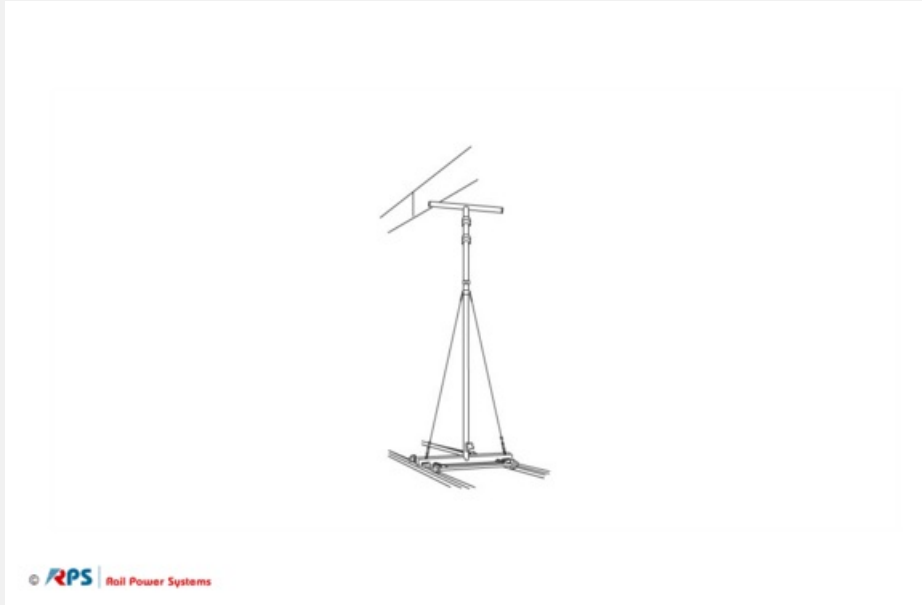
## Demountable height and stagger gauge

For measuring height and zigzag position of contact wire

Measurement range above top edge of rail: 4630 - 6300 mm

Material graduated ruler: wood

With mobile underframe

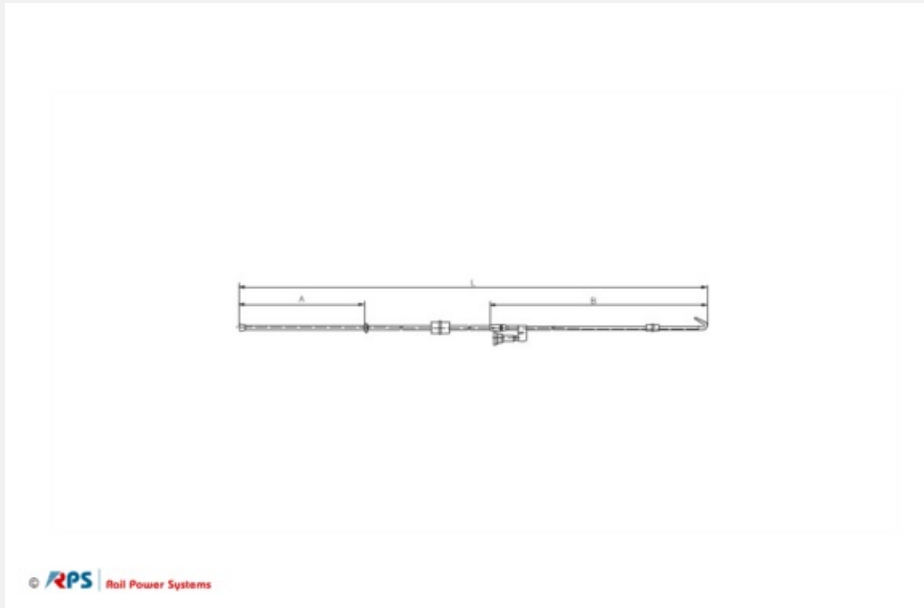


Material-ID	Weight	Drawing Number
3EGF010035	25,0 kg	3Ebgw 03.98



## Voltage tester

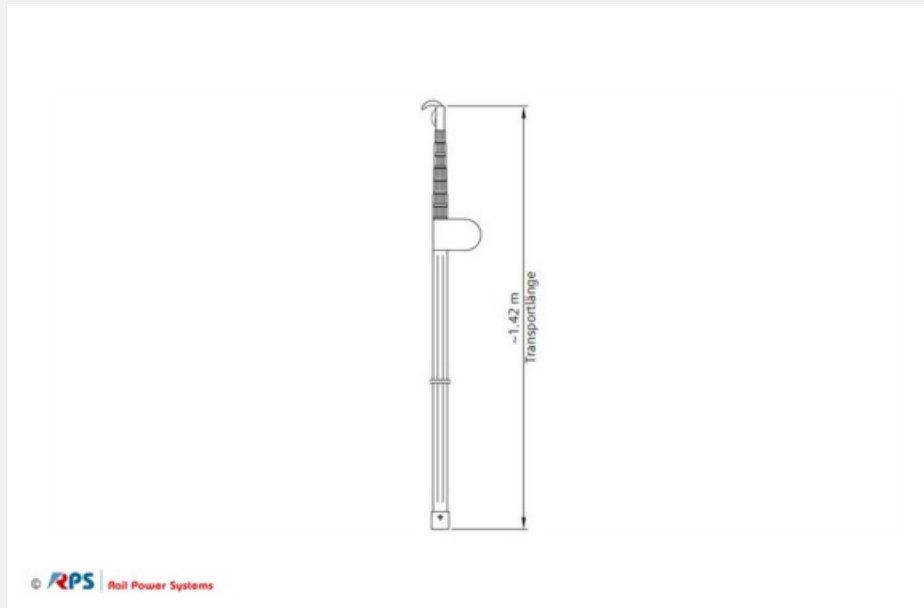
Frequency: 16,7 Hz



Material-ID	Name	Weight	A	B	L	Rated impulse withstand voltage	Drawing Number
3EGF011112	Spannungsprüfer	3,5 kg	1500 mm	2460 mm	4795 mm	15 kV	Gg 715.01. Bl. 1

## Telescopic height measuring rod up to 1 kV DC with carrying case

For measuring spacing of live overhead contact line components, use in precipitation and fog; CE mark; carrying case included



Material-ID	Name	Weight	Height	Rated impulse withstand voltage
3EGF011979	Höhenmessstange	3,0 kg	1,42 - 8,0 m mm	1 kV DC kV

